



RANGE ROVER

PARTS BULLETINS

1991

Range Rover of North America, Inc.

RRNA0897/91

INDEX - PARTS BULLETINS

I GENERAL INFORMATION

GI-001/91	New Parts Buyback Policy.....	02/28/91
GI-002/91	Parts Receiving Guidelines and PAF Claims Procedures.....	03/04/91
GI-003/91	Parts Priority Stocking List (1991).....	04/18/91
GI-004/91	Parts Remanufacturing/Core Program.....	06/04/91
GI-005/91	Parts Remanufacturing/Core Program - Update.....	06/20/91
GI-006/91	New Addition to Priority Stocking List.....	06/26/91
GI-007/91	Warranty Parts Retention.....	08/15/91
GI-008/91	Parts Buyback Policy.....	12/16/91
GI-009/91	Parts Recommended Stocking List.....	12/16/91

II SALES & MARKETING

SM-001/91	Ordering Part Number RTC6068S.....	01/02/91
SM-002/91	Paint - Touch-up Tubes and Aerosols.....	02/06/91
SM-003/91	Manuals, Checklists, and Miscellaneous Materials.....	03/06/91
SM-004/91	STC8269 - Battery.....	12/16/91

III PRICING

PR-001/91	Free Freight Program - Update.....	01/29/91
PR-002/91	Price Change - Michelin Tire, Part Number RTC7602.....	05/24/91
PR-003/91	Price Change - RTC3650 - Tubing.....	11/07/91

IV ACCESSORIES

AC-001/91	Installation Times for Accessories.....	01/09/91
AC-002/91	Snowchains RTC9589.....	01/15/91
AC-003/91	Foldable Loadspace Protector - STC8028.....	01/15/91
AC-004/91	Luggage Boxes - RRT004 and RRT004BL.....	03/20/91
AC-005/91	Auxiliary Lamp Covers RRNA0909 and RRNA0903.....	05/05/91
AC-006/91	"IMPRESSIONS" Merchandise.....	05/24/91
AC-007/91	Floor Mat RRNA0905.....	05/30/91
AC-008/91	Winch - RTC8138GDE.....	06/26/91
AC-009/91	Rigid Loadspace Protectors - RTC9596 and RTC8858.....	06/26/91
AC-010/91	Winch Support Items - RTC9520GDE and RTC8138WIV.....	06/26/91
AC-011/91	Straight Brush Bar - RTC9548.....	06/10/91
AC-012/91	Heavy Duty Roof Rack - RTC9594.....	06/11/91
AC-013/91	Bike Rack - RRNA0923TL and RRNA0923BK.....	06/24/91
AC-014/91	Service Kits STC8073 and STC8049.....	08/21/91
AC-015/91	Supersession of RTC8143 to STC8027 (Rear Lampguards).....	11/13/91
AC-016/91	New Accessories and Accessory Holiday Pricing.....	11/25/91



RANGE ROVER

PARTS BULLETIN

CIRCULATION	
Dealer Principal	X
General Manager	X
Service Manager	
Service Advisors	
Parts Manager	X
Mechanic	

Bulletin No. **GI-001/91**
General
 Section: **Information**

Sheet 1 of 4

Dated: **February 28, 1991**

MODEL:

Subject: **New Parts Buyback Policy**

Effective immediately, Range Rover of North America, Inc. is implementing a new Parts Buyback Policy. The main change with this policy is that Range Rover of North America will buy back excess stock from dealers at any time (except for the dates indicated below), instead of the annual buyback program. We think this new program offers greatly improved flexibilities for dealers to manage parts inventories and improve stock turnovers. In addition, we hope to encourage better stocking at dealer levels to ensure proper customer care.

Summary:

Old Buyback Policy

- One buyback annually.
- Buybacks only up to year long credit earned. No other returns allowed.
- Credit is use it or lose it for each annual buyback period.
- No limitation - not needed.

New Buyback Policy

- Open return policy, except for November and December.
- Buybacks up through available credit. 20% restocking charge on any additional.
- Credits earned and available monthly, with a 12 month cap.
- \$200 minimum return shipment and \$5 minimum return line value.

NO CHANGE IN THE FOLLOWING AREA:

- Earning of buyback credit - 6% on stock and rush stock orders only.

RETURN PERIOD - January - October 31 of any given calendar year. During this time, dealers may enter buyback requests through the PAF system on their computer. No buyback requests will be entertained if entered during the months of November and December, because of heavy warehouse end-of-year workload.

CREDITS - Dealers will continue to earn buyback credits equal to 6% of all stock, kit, and rush stock order types. These credits will be accumulated and reported monthly. Though credits are earned monthly, they are not available until the following month.

CREDIT LIMITATION - There is a limit to the maximum amount of buyback credit a dealer may have available at any one time, and that is equal to the total credits earned during the last full twelve calendar months.

BUYBACK LIMITATIONS - Dealers may return for buyback any parts originally purchased from RRNA (note exceptions below), up to available credits at the end of the previous month. If desired, dealers may request buyback of parts exceeding their available credit allowance for a 20% restocking charge.

MINIMUM RETURNS - There is a minimum return requirement for each PAF parts buyback request:

- \$200 minimum return amount per buyback request. (Total value of PAF entry.)
- \$5 minimum per line item.

Buyback requests, or individual lines not meeting these minimums will be rejected.

There is no limitation to the number of buyback requests a dealer may make within the allowable period. If you want to return parts weekly, you may do so. Monthly, bi-monthly or quarterly is also acceptable.

BUYBACK REPORTING - Attached to this bulletin is an individualized report showing the initial amount of buyback credits available to you at the start of this program. This credit is based on 6% of all your stock, kit, and rush stock orders made on Range Rover of North America from July 1, 1990 through January 31, 1991. Each dealer will be issued monthly a new report showing the running total available credit as well as all credits requested and used during the previous month.

START OF PROGRAM - This program begins immediately, and all dealers have credits available to them to begin making PAF buyback requests.

ENTERING OF BUYBACK REQUEST - When entering a PAF request, you must use the BB reason code for those items you are requesting to be bought back. Do not mix return requests types on one PAF entry. In other words, if you are entering a buyback request, make sure that all lines in that request contain BB reason codes and no other. Credits which have not actually been paid but are awaiting return of parts will be considered paid for purposes of monthly reporting and determining available credit in subsequent months. Any adjustments or changes made upon actual receipt of parts, or non-return of parts, will be adjusted in the following periods.

BUYBACK RULES - The rules for parts buyback remain the same as previously:

- Range Rover of North America will only repurchase those parts which were originally purchased from Range Rover of North America, Inc.
- All parts returned **MUST** be returned in the original box, carton, crate, or original packaging, with the original label attached. This is absolutely essential.
- Parts special ordered for non-RRNA imported Land Rover products are not returnable.
- Only return of new, unused, undamaged and un-installed parts will be accepted. We will not accept for buyback any part which has been damaged, installed, used, returned incomplete, not in original packaging, missing original label, or replaced under warranty.
- All parts must be returned complete with all originally supplied hardware components, labels, and instructions.
- All parts must be received at the designated return location within 30 days of PAF approval. If parts are not received within the 30 day limitation, the PAF request will be canceled and the return location will not process any return shipments related to that PAF approval number.

- All parts returned are 100% inspected at the return facility to ensure restocking accuracy.
- PAF approval is generally given immediately upon receipt. However, it is the dealer's responsibility to track available credits in order to avoid the 20% restocking charge for buyback of anything beyond available credit.

The main point of changing to this system is to develop a smooth, consistent return program in order to avoid the peak workload problem created by a one-time annual system. It also benefits you as a dealer because you are able to manage your parts inventory to a much greater degree. Therefore, for this system to work, we will request that all dealers establish a cycle for themselves whereby returns are made on a consistent basis - i.e. monthly, bi-monthly, or quarterly. It is important to take advantage of this program on a regular basis in order to maintain the quality and efficiency of your Range Rover parts inventory.

If you have any questions about this program, please contact your Range Rover Zone Manager.



RANGE ROVER

PARTS BULLETIN

CIRCULATION	
Dealer Principal	
General Manager	
Service Manager	
Service Advisors	
Parts Manager	X
Mechanic	

Bulletin No. **GI-002/91**
General
Section: **Information**

Sheet 1 of 5

Dated: **March 4, 1991**

MODEL:

Subject: Parts Receiving Guidelines and PAF Claims Procedures

This Parts Bulletin outlines types of shipment problems, inspection guidelines and general conditions for returning the related parts. The purpose is to assist us in approving your claims and to obtain your assistance in helping us to reduce shipping errors.

RECEIVING STANDARDS

SHORT DELIVERY (Reason code "IQ")

Carriers sometimes do not deliver all cartons. In such situations, you may wish to wait a couple of days (with UPS in particular) before filing a PAF claim since most of the time the missing carton is soon delivered. We will approve your PAF claim and pursue a resolution with the carrier ourselves as long as you have properly documented the shortage to the carrier at the time of delivery as follows:

- Compare the number of pieces, their individual weights and the type of boxes, pallets, crates, etc. to the quantities and descriptions listed on the truck bill or other delivery documents. (If the carrier has broken apart palletized material, the truck bill will list quantities and types of cartons which were originally included on each pallet.)
- If you have any doubt at all about whether the shipment is complete, please write your specific comments in the delivery document. Both you and the driver should sign it before he is allowed to leave. Please keep a photocopy on file since we will likely need it to pay your claim and to document our claim against the carrier.

CARRIER DAMAGE (Reason code "DG")

Any damage to shipping cartons should likewise be noted on the delivery documents (signed by both parties and photocopied) to preserve your rights. If at all possible, the damaged cartons should be opened and examined in the presence of the driver. If this is not convenient, then we suggest you write "Subject to final count and inspection" on the delivery documents. If this is not possible and inner damage is later found, the carrier's representative should be summoned to perform a written inspection of the inner damage before the shipping carton is thrown away and the parts are binned. If the carrier does not respond quickly, please phone us for assistance. A photocopy of the carrier's inspection report should be kept on file. We will likely need it to approve your claim and to document our claim against the carrier.

CONCEALED DAMAGE (Reason code "DG")

Personnel in Memphis Parts Distribution Center strive to handle and package all parts to eliminate damage. If you receive a damaged part (and the shipping crate is not damaged), then we need prompt feedback by PAF. We will then reinspect our Memphis inventory and packaging/packing methods. We understand that concealed damage is not always apparent upon receipt. However, we require that some specific parts be unpackaged and examined before binning since damage return claims will generally not be accepted longer than ten days after delivery for the following items:

- Sheet metal
- All glass and mirrors
- All lamps and components
- All accessories
- Paint and paint supplies
- Wood trim

WRONG PART SENT/WRONG QUANTITY SENT (Reason codes "IK, "IP", "IQ")

This category covers "mis-boxed" parts and also quantity errors made by Memphis Parts Distribution Center personnel, and affects less than two tenths of one percent of all parts shipped. Although the frequency of occurrence is low, we constantly seek further improvements. You can help us and other dealers by reporting these types of errors quickly. Each time you submit a PAF, the problem is analyzed and discussed with the appropriate warehouse employees. Warehouse inspection and packing procedures

are constantly being refined, based upon your feedback.

FAULTY PART (Reason code "OH")

Faulty parts are parts which contain a manufacturing defect or which have been recalled. We recognize that such defects often cannot be identified during receiving inspection. Often they are not identified until we issue a Parts Bulletin. We ask that you perform a visual inspection for faults at time of receiving and file a claim if you find one.

CONDITION OF PARTS BEING RETURNED

There are a few basic conditions which must be met in order to return parts to us:

RETURN APPROVAL

Parts should not be returned without receiving written authorization. Authorization will be generally in the form of a DEALER PACKING LIST RETURN (PAR322), similar to the attached sample. This form will be automatically generated on your printer when we have approved return. You may ship the parts back anytime as long as our warehouse receives them within 30 days of Return Approval. (After that the return authorization expires.)

SHIPPING DOCUMENTS

The DEALER PACKING LIST RETURN form contains all of the documents required to accompany your shipment. The preprinted shipping labels should be removed and attached securely to each carton you return. The form also contains a packing list which must be placed inside one carton after you have verified quantities and condition (OK or Damaged) of each part authorized for return.

CONDITION OF PARTS

- All parts must be returned in the condition you received them.
- "Used" parts are not eligible for claim under this PAF Parts Return System. In general, a part is considered used as soon as it is fitted to a vehicle, and sheet metal is considered used after it has been painted (so please verify that you have received the correct part in good condition before painting). Used parts should be claimed and returned separately to our Warranty Department. You will not be

credited for any used parts arriving at our warehouse with PAF returns. They will be discarded unless you contact us within 30 days.

- Only parts purchased from Range Rover of North America, Inc. or Land Rover Canada, Inc. may be returned. All parts must be returned in their original packaging with the original labels on them. Loose or repackaged parts arriving at our warehouse (especially nuts and bolts) will be discarded without credit.
- Parts containing hardware, labels, other components, and installation/use instructions must be returned complete. Parts returned incomplete will be discarded after 30 days without credit.
- Special ordered parts are non-returnable under any program. Special order parts are defined as those unique to pre-1987 vehicles or to non-NAS and non-Canadian vehicles.

RETURNS PACKING AND INSURANCE

Parts should be packed to withstand rough handling and stacking pressures commonly encountered on UPS and truck shipments. The risk of loss or damage during return is your's. It is your responsibility to fully insure return shipments and to file a claim with the carrier in the event of a loss. Upon your request, our warehouse will provide a receiving/inspection report for your use. Approval of claims by carriers often rests on a determination as to whether the shipment was packed sufficiently. If in doubt as to the type of packing required, please contact us.

HOW TO FILE CLAIMS

All claims should be filed utilizing the Parts Returns/Claims menu on your dealer PC. In addition to claiming the cost of the part, you should also use the "MISC \$" field to claim the following other costs, if applicable:

- Repair expense for slightly damaged parts in lieu of returning them. Please describe the type of repairs needed in the comments section. (Reason code "OH")
- Reimbursement of delivery freight for non-stock shipments.
- Reimbursement of return freight/insurance costs if you have paid them out.

- Reimbursement of airfreight fees incurred for a replacement VOR shipment if required for an emergency. (Reason code "IF")
- Credits for "wrong price billed" or "wrong freight billed." (Reason codes "IU" and "IF")

If you are unsure of these exact miscellaneous costs, then please add your comments and we will attempt to quantify them for you.

Claims should be filed promptly. With the exception of some difficult to detect concealed damage or faulty part claims, we expect to receive all claims within ten days of shipment arrival.

Claims should always reference the sending warehouse (usually "MP" for Memphis) and the packing list number of our shipment to aid us in analyzing where and when the error occurred and to confirm that your claim meets our eligibility requirements. This data can be listed in the specific data fields or in the comments section.

The correct claim "reason codes" should be used so we can understand your claim. Please refer to the HELP text for those codes.

After you have stored the claims data on your PC, it will be automatically transferred to us when your computer is polled. An error report or receipt confirmation report will print out the following morning.

After review, "Dealer Packing List Return" forms (PAR322) will automatically print out at your dealership and you may make a return shipment anytime within 30 days. Most claims will automatically be credited upon receipt and inspection at our warehouse. They will appear as credits on the next Monthly Parts and Freight Statement following our inspection and approval. Some "shortage" and "wrong part shipped" claims will be held pending warehouse inventory counts and inspections to verify the claim.

If we have any questions about your claim or require additional documentation, we will either contact you by phone or comment in the Claims Summary Report which is downloaded to your printer monthly.

ASSISTANCE/QUESTIONS

If you have any questions or suggestions to help us further improve our service to you, please contact Bruce Donald (301-731-8731).

DEALER #: [REDACTED] - [REDACTED]

NOTE

THE FOLLOWING PARTS HAVE BEEN AUTHORIZED FOR RETURN TO THE WAREHOUSE ADDRESS ON THE PACKING LABELS ATTACHED BELOW. COMPLETE THIS REPORT BY HANDWRITING THE TOTAL QUANTITY BEING RETURNED AND THE NUMBER OF DAMAGED PARTS BEING RETURNED. ENCLOSE IT AS YOUR PACKING LIST. DETACH SHIPPING LABEL AND AFFIX SECURELY TO THE OUTSIDE OF THE CARTON. YOUR ACCOUNT WILL BE CREDITED ON THE MONTHLY STATEMENT FOLLOWING RECEIPT OF PARTS IN GOOD ORDER AT OUR WAREHOUSE. DO NOT RETURN ANY PARTS WITHOUT THIS AUTHORIZATION. ALL PARTS RETURNED MUST BE IN NEW CONDITION. DO NOT USE THIS PACKING LIST FOR WARRANTY RETURNS OF USED PARTS. ALL MUST BE IN THE ORIGINAL PACKAGE WITH ORIGINAL LABEL ON IT AND YOU MUST INCLUDE HARDWARE AND ASSEMBLY/USE INSTRUCTIONS, IF APPLICABLE. PARTS SHOULD BE SECURELY PACKED TO WITHSTAND HANDLING AND STACKING COMMONLY ENCOUNTERED ON UPS AND TRUCK SHIPMENTS. RISK OF LOSS OR DAMAGE DURING TRANSIT IS YOURS AND IT IS YOUR RESPONSIBILITY TO FILE CLAIMS WITH THE COMMON CARRIER AND TO ADEQUATELY INSURE THIS SHIPMENT. IF YOU NEED ASSISTANCE PLEASE PHONE RANGE ROVER PARTS DEPT. LANHAM, MD.

THANK YOU

AUTHORIZATION #: 002566

REQUEST #: RQ012390

REASON CODE	PART NUMBER	PART DESCRIPTION	QTY REQST	QTY AUTH	QTY OK	QTY DAMGD	TOTAL RETND
IP	MTC8637	MIRROR, LH, ELEC	1	1			
DLR CMT : PACKAGED WRONG RH SIDE IN LH SIDE BOX. MAY WE RETURN?							
RVW CMT : OK							

DETACH HERE

SHIPPED FROM:

[REDACTED]

SHIPPED FROM:

[REDACTED]

SHIPPED TO:

RANGE ROVER PARTS RETURN
C/O CATERPILLAR INC.
5000 East Raines Road
Memphis TN 38118

SHIPPED TO:

RANGE ROVER PARTS RETURN
C/O CATERPILLAR INC.
5000 East Raines Road
Memphis TN 38118

AUTH #: 002566

DATE: 2/26/91

AUTH #: 002566

DATE: 1/30/91

1 LINES PRINTED FOR THIS REPORT



RANGE ROVER

PARTS BULLETIN

CIRCULATION	
Dealer Principal	
General Manager	
Service Manager	
Service Advisors	
Parts Manager	X
Mechanic	

Bulletin No. **GI-003/91**
General
 Section: **Information**
 Sheet 1 of 2
 Dated: **April 18, 1991**

MODEL: Range Rover

Subject: **Parts Priority Stocking List (1991)**

- Attached is our latest Parts Priority Stocking List, which represents the MINIMUM stocking levels to be held in dealer parts inventory. The list is sorted in part number sequence, and shows the following information:
 - Quantity - This is MINIMUM quantity for recommended stocking. Greater on-hand quantities should be held by busier dealers.
 - Part Number - Current part number as listed in the most recent NAS microfiche.
 - Description - Part description.
- Also, you will find the following part numbers from the previous Priority Stocking List were superseded to part numbers which appear on the new list.

<u>Old Part Number</u>	<u>New Part Number</u>	<u>Description</u>
ERR1104	NTC8286	Power steering pump
MXC5663	BTR451	Front grille
NTC3478	BTR216	Heater hose
PRC5083	PRC8478	Control unit
PRC5335	PRC8238	Driving lamp

Any quantities of the superseded part numbers you have in stock will count towards your requirements for the new part numbers. Meaning, if you stock the old part number, then you are not required to stock the new part number.

3. This list is to be used as a starting point for determining basic stocking requirements for Range Rover parts. Many dealers have sufficient service volumes to justify a greater quantity and range of parts held in inventory. This basic guideline provides the nucleus on which a well-stocked dealer parts department can be built. In addition to this list, we recommend stocking of Range Rover Select Accessories that sell in your area.

We expect all dealers to hold all part numbers and quantities on this list. There will be spot checks done of dealer inventories to make sure minimum levels are being maintained. These are also the items now supplied as the initial parts stocking kit for new dealers.

If you have any questions about this list, please feel free to contact the Range Rover Parts Department, or your Range Rover Zone Manager.

RANGE ROVER OF NORTH AMERICA, INC.

April 11, 1991

PRIORITY STOCKING LIST

Item	Qty	Part #	Description
1	2	10211	Bulb, 12V 5W
2	15	213961	Joint washer - drain plug
3	2	217353	Washer, hub bearing lock tab
4	5	230511	Joint washer, swivel ball drain plug
5	2	243960	Washer, sealing oil level indicator
6	5	264591	Bulb, flasher, stop, reverse lights. Single
7	5	549473	Circlip, axle shaft, VIN LA on
8	1	559061	Switch, door, courtesy light
9	1	559186	Bulb - 44mm. For 38mm order 586438
10	2	564258	O-ring for oil filler cap
11	2	570829	Bulb, under bonnet & number plate lamp
12	1	571718	Oil seal, axle at swivel housing, R/R
13	10	571752	Joint washer, axle drive member, R/R
14	1	571890	Oil seal, swivel pin housing, outer, R/R
15	1	589818	Tube, protector, HTD tlgte glass lead R/R
16	5	594091	Dust cap, brake caliper bleed screw
17	4	602099	Seal, intake manifold gasket, R/R
18	4	602512	Gasket, rocker cover, V-8 engine
19	1	608066	Seal, steering box sector shaft, R/R
20	1	608067	Seal, backup, steering box sector shaft, R/R
21	3	611612	Driving belt - fan & A/C compressor
22	1	611786	Gasket, thermostat cover, R/R
23	2	612326	Gasket for water pump, R/R
24	1	ADU3905	Pump - window washer - front & rear
25	1	ADU4903L	Bulb holder - lower trim facia
26	10	ADU7954	Clip, bumper end cap bracket, R/R
27	1	AFU2786L	Oil level indicator - in oil pan
28	4	AFU3075	Retainer, drive fastener
29	20	AJU1136L	Stud anchor for front & rear door trim
30	1	BRC8965PMA	Housing, door lock sill button
31	1	BTR216	Hose, heater inlet
32	1	BTR217	Hose, heater outlet
33	1	BTR384	Mirror, LH, outer, heated w/flat glass
34	1	BTR451	Grille, front radiator, VIN MA on
35	1	ERC248	Vent crankcase
36	2	ERC3209	Filter element, valve cover breather, R/R
37	8	ERC3606	Gasket, exhaust manifold to head, R/R
38	2	ERC5830	Grommet, air flow mtr., alt. fan guard
39	2	ERC675	Belt, power steering pump
40	15	ERR1168	Filter, oil; w/check valve

41	1	ERR767	Pulley, alternator, deep groove; 2.5" dia.
42	1	ERR852	O-Ring, engine oil cooler adaptor to pump
43	2	ETC4524	Gasket, exhaust manifold to pipe
44	2	ETC5065	Oil seal, front crankshaft
45	16	ETC6437	Spark plug, Range Rover
46	1	ETC6660	Stepper motor, EFI, Range Rover
47	2	ETC6874	Tamper proof plug - idle speed - R/R EFI
48	2	ETC7819	Gasket, cylinder head, 3.9 litre engine
49	2	ETC7899	Drive belt, alternator, late style, R/R
50	1	ETC8440	Guard, alternator fan, w/o rubber mounts
51	5	FRC2349	Gasket, bearing housing
52	1	FRC7043	Oil seal, flange, transfer gearbox
53	2	FRC7329	Brake disc, front, late Range Rover
54	5	FRC8002	Lock washer, axle drive shaft
55	1	FRC8220	Oil seal, outer pinion bearing, diff.
56	4	FRC8221	Hub seal, inner, axle assy.
57	4	FRC8222	Hub seal, outer, axle assy.
58	1	FRC8227	Seal track spacer, axle assy.
59	2	FTC1377	Joint washer, swivel pin-stub axle
60	2	FTC1381	Brake disc, rear, thick bell
61	1	JRC1492L	Tee piece, headlamp power wash
62	10	MUC2153	Key blank - Range Rover
63	5	MUC3186	Clip, fixing; A-Post finisher
64	1	MUC3490	Rubbing strip, rear wing RH
65	1	MUC9218	Fuse cover, up to VIN JA351032
66	10	MWC3129	Fir tree clip
67	1	MWC4813	Mirror, electric RH, convex, engraved warni
68	2	MWC9362	Capping, center grille deck panel
69	2	MXC1309SUA	Cover fixing, door pull, Sor. brown, KA VIN
70	2	MXC2043LCQ	Nozzle, heater demist
71	2	MXC3178	Gasket, door handle
72	1	MXC4738RUN	Escutcheon, door lock knob
73	5	NH108041L	Nut
74	1	NRC5214	Retaining strip - rear bumper seal
75	5	NRC7415	Wheel nut, Range Rover alloy wheel
76	1	NRC9728	Rubber bush, panhard rod, Range Rover
77	1	NTC1081	Hose, top radiator, Range Rover
78	1	NTC4629	Plug, tow hitch, Range Rover
79	2	NTC5232	End capping, RH rear bumper, R/R
80	2	NTC5233	End capping, LR rear bumper, R/R
81	1	NTC5418	Cap - fuel filler
82	1	NTC5683	Mounting bracket, wing to end cap
83	2	NTC5958	Fuel filter, w/plastic sleeve
84	1	NTC6936	Fuel filter, from VIN MA
85	1	NTC7297	Bottom hose, radiator VIN LA on
86	2	NTC7726	Shock Absorber, rear, from VIN LA417085
87	1	NTC8286	Pump, power steering
88	2	PAM1144	Bumper, rubber, gas flap door

89	1	PRC3916	Actuator, CDL, RH & rear doors, to VIN LA
90	1	PRC4143	Cable assy. 7 pin trailer socket, R/R
91	1	PRC4348	Speedometer MPM (& mileage notice), R/R
92	1	PRC4352	Angle drive, speedometer head
93	1	PRC4615	Jet, headlamp wash
94	1	PRC5077	Sensor, rad. exp. tank level, to VIN LA
95	1	PRC5254	Switch-passenger side front window
96	1	PRC5255	Switch, window & sunroof, R/R
97	1	PRC5394	Headlamp, 7" sealed beam halogen-USA R/R
98	1	PRC5440	Sensor, low washer fluid, R/R
99	1	PRC5463	Reflex, front wing
100	2	PRC5852	Gasket - fuel pump - Range Rover
101	1	PRC6030	Knob, switch, RH Squab, electric seat, R/R
102	1	PRC6164	Lamp/lens assy. front RH, Range Rover
103	1	PRC6165	Lamp/lens assy. front LH, Range Rover
104	1	PRC6278	Speedometer cable - upper
105	1	PRC6317	Switch, Temp, water
106	1	PRC6321	Horn high note
107	1	PRC6322	Horn low note
108	1	PRC6763	Label, fuses, to VIN JA351032
109	6	PRC6827	Wiper blade, front, 8mm arm, Range Rover
110	1	PRC6839	Wiper arm, front, 8mm, Range Rover
111	2	PRC6978	Oxygen sensor, R/R, from VIN JA303327
112	2	PRC7062	Sensor, Lambda oxygen, from VIN KA
113	1	PRC7204	Switch, oil pressure - R/R
114	1	PRC7899	Lamp assy., rear RH w/cable clip
115	1	PRC7900	Lamp assy., rear LH w/cable clip
116	1	PRC7918	Switch, temp, water
117	1	PRC7921	Control unit, central locking, VIN LA on
118	1	PRC7925	Sensor, radiator exp. tank, VIN LA on
119	1	PRC8049	Relay, ABS pump
120	1	PRC8095	Switch, power seat, RH
121	1	PRC8096	Switch, power seat, LH
122	1	PRC8097	Gasket, power seat switch
123	1	PRC8098	Actuator, CDL, front doors, VIN LA on
124	2	PRC8238	Lamp, auxiliary driving style
125	1	PRC8285	Lamp, auxiliary, fog style, Lucas
126	1	PRC8318	Fuel pump, EFI models
127	1	PRC8478	Control unit, warning lights
128	1	RRNA0900	Sheepskin Seatcover Set, Grey, R/R front
129	1	RRNA0901	Sheepskin Seatcover Set, natural, R/R
130	1	RRNA0907	Floor Mat Set, Sorrell Brown, 3 piece
131	1	RRNA0908	Floor Mat Set, Winchester Grey, 3 piece
132	1	RRTH001	Roof Rack set, basic
133	1	RRTH005	Luggage Basket, for roof rack RRTH001
134	2	RTC3197	Distributor cap, EFI Range Rover
135	1	RTC3635	Bulb 1.2W (clock)
136	1	RTC3670	Steering damper kit

137	1	RTC4058T	Paint, touchup tube, Chamonix White
138	4	RTC4268	Gasket, sump, ZF auto. transmission
139	4	RTC4276	O-ring, oil screen, ZF auto. transmission
140	1	RTC4412	Seal kit - power steering box
141	5	RTC4481	Fuse, 3 amp, blade
142	5	RTC4497	Fuse, 5 amp, blade
143	5	RTC4498	Fuse, 7.5 amp, blade
144	5	RTC4501	Fuse, 10 amp, blade
145	5	RTC4503	Fuse, 15 amp, blade
146	5	RTC4504	Fuse, 20 amp, blade
147	5	RTC4506	Fuse, 25 amp, blade
148	5	RTC4507	Fuse, 30 amp, blade (Seat)
149	2	RTC4518	Brake pad set, front axle, Range Rover
150	1	RTC4519	Brake pad set, rear, LH sensor lead, R/R
151	2	RTC4629K	Shock absorber, front, thru VIN LA
152	2	RTC4630K	Shock absorber, rear, to VIN LA417084
153	5	RTC4646	Sealing washer, drain plug, ZF gearbox
154	2	RTC4653	Oil screen, ZF auto. transmission
155	5	RTC4683	Filter, air - Range Rover w/EFI
156	1	RTC5053	Alternator, R/R
157	1	RTC5254	Gasket set, engine head, R/R
158	1	RTC5551	Lens - rear RH, Range Rover
159	1	RTC5552	Lens - rear LH, Range Rover
160	1	RTC5553	Lens side RH rear, Range Rover
161	1	RTC5554	Lens side LH rear, Range Rover
162	1	RTC5628	Coil, ignition, Lucas
163	1	RTC5638	Seal, gas cap, rubber
164	1	RTC5695	End cap, bumper, RH front, R/R
165	1	RTC5696	End cap, bumper, LH front, R/R
166	2	RTC5762	Brake pad set, rear, RH sensor lead, R/R
167	5	RTC5818	O-ring, suction tube, ZF auto. transmission
168	10	RTC5984	Clip, retaining, heater assy., R/R
169	1	RTC6061N	Starter motor, Range Rover
170	1	RTC6149	Thermostat, heater & A/C, VIN KA on
171	1	RTC6339	Water pump assy., Range Rover
172	1	RTC6366	Heater core, VIN JA344072 to VIN LA
173	1	RTC6402T	Paint, touchup tube, Clearwater Blue
174	1	RTC6454T	Paint, touchup tube, Westminster Grey
175	1	RTC6487	Pump, ABS vacuum
176	1	RTC6551	Spark plug wire set, blue silicone
177	1	RTC6591	Brake pad set, rear, ABS brakes, VIN LA
178	1	RTC6593	Radiator, heater core, VIN LA on
179	2	RTC6629	Rotor, ignition
180	1	RTC6683	Illumination unit-auto shifter, R/R
181	1	RTC6781	Brake pad set, front, ABS brakes
182	6	RTC6787	Wiper blade, front, to VIN LA, rear - all
183	1	RTC7600	Hylosil, 70 gram tube
184	6	RTC7601	Anti-freeze, Range Rover, 1 gallon

185	2	RTC7602	Tire, Michelin, 205R16 XM&S
186	1	RTC7623	Wiper blade, winter - 2 blade set
187	1	RTC8143	Lampguard, rear set
188	1	RTC8816	Side moulding kit, R/R, 4 door
189	1	RTC9507	Running boards, set
190	1	RTC9533	Wheel nuts, locking, set of 5 w/2 keys
191	1	RTC9582	Brushbar, wraparound, w/lampguards
192	1	TKC3976	Filler cap - USA R/R
193	2	YWB10032	Relay, multipurpose, green case



RANGE ROVER

PARTS BULLETIN

CIRCULATION	
Dealer Principal	
General Manager	
Service Manager	
Service Advisors	
Parts Manager	X
Mechanic	

Bulletin No. **GI-004/91**
General
Section: **Information**
Sheet 1 of 4
Dated: **June 4, 1991**

MODEL: Range Rover

Subject: **Parts Remanufacturing/Core Program**

Effective February 12, 1991 Range Rover of North America, Inc. implemented a parts remanufacturing/core return program, for certain parts. Eligible parts will include a core value when purchased by dealers, which will be refundable upon return in satisfactory condition.

The following applies only to parts identified as being part of this program. They will be identified later in this bulletin, new items will be mentioned in future Parts Bulletins, and they can be identified by the presence of a value in the "Core Value" field of parts search screens.

PRICING:

Until our system is modified, any assigned "Core Value" is included in the Dealer Price. This means that the core charge is not broken out or displayed as a separate invoice line.

Warranty claim payments, however, will deduct the core value from the reimbursed price. Example - Remanufactured transmissions currently cost dealers \$1,956.27, which includes a \$300 core value. Warranty claims for these transmissions will pay \$1,656.27 (plus allowance). The \$300 core value will be reimbursed upon receipt of an acceptable core from a separate PAF claim.

CORE PROCESSING:

WARRANTY -

- Warranty claims entered as currently.
- Upon claim approval, labor will be paid and parts reimbursement will be paid for the Dealer Net price of the part, less the core value, plus warranty allowance.

- File a parts PAF claim for return of a rebuildable core unit in order to recover core value. (See following section.)
- For warranty situations where the core unit is badly defective or has been damaged beyond rebuildable condition, (not returnable as a core unit), a separate line will have to be entered on the warranty claim in order to recover the core value.

NON-WARRANTY -

- Upon completion of customer pay repair file PAF claim for return and credit of core unit. Do not charge customer for core value, except in cases where the core is non-returnable.

PAF CLAIM -

- Enter PAF claim for return of eligible rebuildable cores.
- Use a "CR" reason code (Core Return).
- Enter serial number - for transmissions, and other major units specified, be sure to list the serial number in the Comments Line. This is necessary to match returned units to core return claims. Claims submitted without the correct serial number entered cannot be paid.
- IMPORTANT - File claim for core part number only - DO NOT file claim for part number purchased. All core part number's have a "C" suffix. Example - a new transmission can be purchased - FTC255N. However, to return it as a core use part number RRA1000C. (See listing below.)
- Do not return any cores until approval has been issued.
- Return cores ONLY to the address specified with the approval.

CORE RETURN TAGS -

- All eligible core items will soon include a special core return tag. Until they are available use the current warranty tag.
- Be sure to fill out all appropriate information on the tags - for transmissions, tags MUST include the serial number of the unit being returned.

- All returned cores must include a core return tag.

RETURN OF CORES -

- Ship only when PAF approval has been given.
- Ship ONLY to address specified in PAF approval.
- Return cores in the same carton, box, or crate received in, along with all included parts and pieces.
- Be sure box, crate, or carton properly protects return items. Sufficient packing materials must be used.
- Make sure box is properly labeled to the PAF specified return address, and includes a fully completed core return tag.
- Use the least expensive carrier available, and make sure shipment is fully insured. For most parts UPS will be acceptable. Larger units will have to be returned by truck. All core returns must be freight prepaid by the dealer. Returned items shipped COD or freight collect will be refused.
- Major unit return - items requiring truck shipment should include the following statement on the bill of lading:

NMFC Item #18630 (Sub 4)
USED AUTOMOBILE PARTS - CLASS 70

ELIGIBLE CORES -

- Cores must be rebuildable. Normally, this means that units which have been replaced due to normal wear or minor failing. A unit replaced as result of massive defect or damage is not usually rebuildable. Dealers must exhibit their best judgement in this, but credits will be given only for units which can be remanufactured. All returned cores are torn down and inspected before credit is issued.
- Cores resulting from units purchased from Range Rover of North America, Inc. (1 for 1 exchange).
- Core units must have been installed in a Land Rover product.

PAYMENT -

- Core reimbursement will be paid only for units which were purchased from RRNA and on which a core charge was added. Unless otherwise specified, we will not pay core values for units on which there was no core value charged originally. Units which were previously paid in full from a warranty claim are already the property of RRNA.
- Freight reimbursement - RRNA will pay a return freight allowance, on specified cores. Effective June 3, 1991, for all transmissions, an additional \$75 will be paid, making total transmission core reimbursement \$375.

ELIGIBLE PARTS:

At this time only transmissions are eligible for this program. They include the following:

From RRNA Parts Purchase:

<u>3.5 Litre Vehicles</u>	<u>Return Core P/N</u>	<u>Core \$\$</u>	<u>RRNA Freight Reimbursement</u>
RRA1000R FTC255N	RRA1000C	\$ 300	\$ 75
<u>3.9 Litre Vehicles</u>			
FTC1278N FTC1278R FTC587N FTC587R	FTC1278C	\$ 300	\$ 75



RANGE ROVER

PARTS BULLETIN

CIRCULATION	
Dealer Principal	
General Manager	
Service Manager	
Service Advisors	
Parts Manager	X
Mechanic	

Bulletin No. **GI-005/91**
 Section: **General Information**
 Sheet 1 of 4
 Dated: **June 20, 1991**

MODEL:

Range Rover

Subject: **Parts Remanufacturing/Core Program - Update**
Replaces GI-004/91 - dated June 4, 1991

Effective February 12, 1991 Range Rover of North America, Inc. implemented a parts remanufacturing/core return program, for certain parts. Eligible parts will include a core value when purchased by dealers, which will be refundable upon return in satisfactory condition.

The following applies only to parts identified as being part of this program. They will be identified later in this bulletin, new items will be mentioned in future Parts Bulletins, and they can be identified by the presence of a value in the "Core Value" field of parts search screens.

PRICING:

Until our system is modified, any assigned "Core Value" is included in the Dealer Price. This means that the core charge is not broken out or displayed as a separate invoice line.

Warranty claim payments, however, will deduct the core value from the reimbursed price. Example - Remanufactured transmissions currently cost dealers \$1,956.27, which includes a \$300 core value. Warranty claims for these transmissions will pay \$1,656.27 (plus allowance). The \$300 core value will be reimbursed upon receipt of an acceptable core from a separate PAF claim.

CORE PROCESSING:

WARRANTY -

- Warranty claims entered as currently.
- Upon claim approval, labor will be paid and parts reimbursement will be paid for the Dealer Net price of the part, less the core value, plus warranty allowance.

- File a parts PAF claim for return of a rebuildable core unit in order to recover core value. (See following section.)
- For warranty situations where the core unit is badly defective or has been damaged beyond rebuildable condition, (not returnable as a core unit), a separate line will have to be entered on the warranty claim in order to recover the core value.

NON-WARRANTY -

- Upon completion of customer pay repair file PAF claim for return and credit of core unit. Do not charge customer for core value, except in cases where the core is non-returnable.

PAF CLAIM -

- Enter PAF claim for return of eligible rebuildable cores.
- Use a "CR" reason code (Core Return).
- Enter serial number - for transmissions, and other major units specified, be sure to list the serial number in the Comments Line. This is necessary to match returned units to core return claims. Claims submitted without the correct serial number entered cannot be paid.
- IMPORTANT - File claim for core part number only - DO NOT file claim for part number purchased. All core part number's have a "C" suffix. Example - a new transmission can be purchased - FTC255N. However, to return it as a core use part number RRA1000C. (See listing below.)
- Do not return any cores until approval has been issued.
- Return cores ONLY to the address specified with the approval.

CORE RETURN TAGS -

- All eligible core parts now include a special core return tag.
- Be sure to fill out all appropriate information on the tags - for transmissions, tags MUST include the serial number of the unit being returned.

PAYMENT -

- Core reimbursement will be paid only for units which were purchased from RRNA and on which a core charge was added. Unless otherwise specified, we will not pay core values for units on which there was no core value charged originally. Units which were previously paid in full from a warranty claim are already the property of RRNA.
- Freight reimbursement - RRNA will pay a return freight allowance on transmission cores only. Effective June 3, 1991, for all transmissions, an additional \$75 will be paid, making total transmission core reimbursement \$375.

ELIGIBLE PARTS:

At this time the following parts are eligible for core return:

<u>Part No.</u>	<u>Description</u>	<u>Return Core Part No.</u>	<u>Core Value</u>	<u>RRNA Freight Reimbursement</u>
RRA1000R	Trans.-3.5	RRA1000C	\$300	\$75
FTC255N	Trans.-3.5	RRA1000C	300	75
FTC1278N	Trans.-3.9	FTC1278C	300	75
FTC1278R	Trans.-3.9	FTC1278C	300	75
FTC587N	Trans.-3.9	FTC1278C	300	75
FTC587R	Trans.-3.9	FTC1278C	300	75
RTC5053	Alternator	RTC5053C	35	---
RTC5053R	Alternator	RTC5053C	35	---
RTC6061N	Starter	RTC6061C	50	---
RTC6061R	Starter	RTC6061C	50	---

NOTE: Alternators and starters become eligible for core return beginning July 8, 1991, when our updated quarterly pricing goes into effect.



RANGE ROVER

PARTS BULLETIN

CIRCULATION	
Dealer Principal	
General Manager	
Service Manager	
Service Advisors	
Parts Manager	X
Mechanic	

Bulletin No. **GI-006/91**
General
Section: **Information**

Sheet 1 of 1

Dated: **June 26, 1991**

MODEL:
Range Rover

Subject: **New Addition to Priority Stocking List**

Please be advised that all dealers are now required to stock one (1) PRC8499 Fuel Pump Assembly for vehicles from MA464554. All orders for PRC8499 will now include two (2) olives, part number NRC9771, and two (2) nuts, part number NRC9770, which are required for installation of the new pump.

If you currently have stock of PRC8499, make certain you also stock two (2) of both NRC9770 and NRC9771 for each fuel pump.



RANGE ROVER

PARTS BULLETIN

CIRCULATION	
Dealer Principal	
General Manager	
Service Manager	
Service Advisors	
Parts Manager	X
Mechanic	

Bulletin No. **GI-007/91**
 Section: **General Information**
 Sheet 1 of 1
 Dated: **August 15, 1991**

MODEL:
Range Rover USA and Canada

Subject: **Warranty Parts Retention - See Section 3.95 of Warranty Handbook, and Warranty Bulletin W90-004**

In order to clarify our warranty policy regarding parts retention, we have compiled these sections from the Warranty Handbook (Section 3.95) and Warranty Bulletin W90-004 below.

Effective February 1, 1990, RRNA/LRCnd no longer required that parts replaced under warranty be held for 45 days from the claim payment date.

Current policy requires parts to be retained until payment of the claim on the monthly credit report, unless listed under "Parts Return-Mandatory", or requested by RRNA/LRCnd. Retained parts are to be properly tagged with the warranty parts identification tag (part number RRNA0012). Parts must be organized in such a way as to allow for easy identification and inspection.

The Zone Manager/Dealer Support Manager may inspect and scrap parts periodically. If parts have not been scrapped by your RRNA Zone Manager or LRCnd Dealer Support Manager at the end of the retention period, parts must be mutilated and scrapped by the dealer.

NOTE: If your Warranty Department plans to appeal an adjusted claim after month-end, retain all parts until the appeal has been processed.



RANGE ROVER

PARTS BULLETIN

CIRCULATION	
Dealer Principal	X
General Manager	X
Service Manager	
Service Advisors	
Parts Manager	X
Mechanic	

Bulletin No. **GI-008/91**
General
 Section: **Information**

Sheet 1 of 1

Dated: **December 16, 1991**

MODEL:

Subject: **Parts Buyback Policy**

As you know, it is our policy not to accept buybacks in November and December due to warehouse year-end workload. We will again begin accepting buybacks on January 2, 1992. All current credits and credits from November/December, 1991 will be carried over to January, 1992. Please take advantage of your buyback credits to maintain faster moving parts and accessories on your available shelf space.



PARTS BULLETIN

CIRCULATION	
Dealer Principal	
General Manager	
Service Manager	
Service Advisors	
Parts Manager	X
Mechanic	

Bulletin No. **GI-009/91**
General
Section: **Information**
Sheet 1 of 1
Dated: **December 16, 1991**

MODEL:
**Range
Rover
USA**

Subject: **PARTS RECOMMENDED STOCKING LIST**

We have improved our dealer parts Stocking policy, based on feedback from all dealers earlier this year.

Attached is the new Recommended Stocking List, which replaces the Priority Stocking List issued in Parts Bulletin GI003/91. This new list contains the fastest moving parts, excluding service campaigns, is based on actual dealer demand, and we strongly encourage all dealers to stock them.

This list is to be considered the minimum guideline. Most dealers do sufficient business to justify stocking far more. Though not listed, we strongly encourage the stocking of accessories as well. Many accessories are bought as impulse purchases, and customers appreciate them being in stock and available.

Attached you will find two additional lists. One contains new part numbers added to this Recommended Stocking List, mostly due to supersessions of old part numbers. The other list contains part numbers now deleted from the Recommended Stocking List, having previously appeared on the Priority Stocking List.

Please review the "Part Numbers Deleted" list carefully. Part numbers on this list which you currently hold and no longer wish to stock may be returned. You may return up to the original priority stocking quantity listed, and the return will not count against your buyback credits. **When filing a PAF claim, please use reason code OH and enter "Priority Stock Deletions" under the comment section of the claim.**

Beginning with the January 1, 1992 Price Book, all recommended stocking parts will be marked with an asterisk, and all part numbers will now include a movement code.

Attachment

RANGE ROVER OF NORTH AMERICA, INC.

PARTS RECOMMENDED STOCKING LIST

Item	Qty	Part #	Description
1	15	213961	Joint washer - drain plug
2	2	217353	Washer, hub bearing lock tab
3	2	243960	Washer, sealing oil level indicator
4	5	264591	Bulb, flasher, stop, reverse lights. Single
5	1	552819	Bush, shock upper
6	1	559186	Bulb - 44mm. For 38mm order 586438
7	2	564258	O-ring for oil filler cap
8	5	571752	Joint washer, axle drive member, R/R
9	1	571890	Oil seal, swivel pin housing, outer, R/R
10	5	594091	Dust cap, brake caliper bleed screw
11	2	602099	Seal, intake manifold gasket, R/R
12	2	602512	Gasket, rocker cover, V-8 engine
13	1	608000	Teflon ring
14	3	611612	Driving belt - fan & A/C compressor
15	4	79086	Rivet
16	5	AJU1136L	Stud anchor for front & rear door trim
17	1	BRC8965PMA	Housing, door lock sill button
18	1	BTR216	Hose, heater inlet
19	1	BTR217	Hose, heater outlet
20	1	ERC248	Vent crankcase
21	2	ERC3209	Filter element, valve cover breather, R/R
22	8	ERC3606	Gasket, exhaust manifold to head, R/R
23	1	ERC3990	Gasket, intake manifold
24	2	ERC4949	Tappet, hydraulic, rocker arm
25	2	ERC675	Belt, power steering pump
26	15	ERR1168	Filter, oil; w/check valve
27	3	ERR2073	Belt, alternator
28	1	ERR852	O-ring, engine oil cooler adaptor to pump
29	2	ETC4524	Gasket, exhaust manifold to pipe
30	16	ETC6437	Spark plug, Range Rover
31	2	ETC6874	Tamper proof plug - idle speed - R/R EFI
32	1	FN108041	Nut
33	5	FRC2349	Gasket, bearing housing
34	1	FRC2889	Seal, oil
35	2	FRC3205	Joint washer, swivel pin housing
36	2	FRC7329	Brake disc, front, late Range Rover
37	3	FRC8002	Lock washer, axle drive shaft
38	4	FRC8221	Hub seal, inner, axle assy.
39	2	FRC8222	Hub seal, outer, axle assy.
40	2	FTC1377	Joint washer, swivel pin-stub axle

Recommended Stocking List, Continued.....

41	2	FTC951	Oil seal, rear stub axle from VIN LA
42	1	JRC1492L	Tee piece, headlamp power wash
43	2	MTC5762	Rivet, lower tailgate
44	6	MUC2153	Key blank - Range Rover
45	5	MUC3186	Clip, fixing; A-Post finisher
46	10	MWC3129	Fir tree clip
47	1	MXC3178	Gasket, door handle
48	2	MXC5572	Vent, facia rail
49	1	MXC6829	Spoiler, 6 slot NAS spec
50	2	MXC8304	Washer, fiber, fender and fender angle
51	2	NRC7415	Wheel nut, Range Rover alloy wheel
52	1	NRC9728	Rubber bush, panhard rod, Range Rover
53	2	NTC1966	Nut exhaust mounting
54	2	NTC5232	End capping, RH rear bumper, R/R
55	2	NTC5233	End capping, LR rear bumper, R/R
56	2	NTC5958	Fuel filter, w/plastic sleeve
57	5	NTC7867	Clip edge, clip RR B/E cap
58	1	NTC8286	Pump, power steering
59	2	NZ606041L	Nut, self-lock, propeller shaft
60	1	PRC3916	Actuator, CDL, RH & rear doors, to VIN LA
61	1	PRC4143	Cable assy. 7 pin trailer socket, R/R
62	1	PRC5077	Sensor, rad. exp. tank level, to VIN LA
63	1	PRC5255	Switch, window & sunroof, R/R
64	1	PRC5394	Headlamp, 7" sealed beam halogen-USA R/R
65	1	PRC6317	Switch, Temp, water
66	4	PRC6827	Wiper blade, front, 8mm arm, Range Rover
67	1	PRC7918	Switch, temp, water
68	1	PRC8095	Switch, power seat, RH
69	1	PRC8096	Switch, power seat, LH
70	1	PRC8097	Gasket, power seat switch
71	1	PRC8238	Lamp, auxiliary driving style
72	1	PRC8746	Spiral cassette
73	1	PRC9915	Switch, brake light with ABS
74	1	RRNA0907	Floor Mat Set, Sorrell Brown, 3 piece
75	2	RTC3197	Distributor cap, EFI Range Rover
76	4	RTC4268	Gasket, sump, ZF auto. transmission
77	3	RTC4276	O-ring, oil screen, ZF auto. transmission
78	1	RTC4412	Seal kit - power steering box
79	5	RTC4501	Fuse, 10 amp, blade
80	5	RTC4503	Fuse, 15 amp, blade
81	5	RTC4504	Fuse, 20 amp, blade
82	5	RTC4506	Fuse, 25 amp, blade
83	5	RTC4507	Fuse, 30 amp, blade (Seat)

Recommended Stocking List, Continued.....

84	2	RTC4518	Brake pad set, front axle, Range Rover
85	1	RTC4646	Sealing washer, drain plug, ZF gearbox
86	2	RTC4653	Oil screen, ZF auto. transmission
87	5	RTC4683	Filter, air - Range Rover w/EFI
88	1	RTC5695	End cap, bumper, RH front, R/R
89	1	RTC5696	End cap, bumper, LH front, R/R
90	1	RTC6551	Spark plug wire set, blue silicone
91	1	RTC6591	Brake pad set, rear, ABS brakes, VIN LA
92	2	RTC6629	Rotor, ignition
93	1	RTC6683	Illumination unit-auto shifter, R/R
94	1	RTC6781	Brake pad set, front, ABS brakes
95	6	RTC6787	Wiper blade, front, to VIN LA, rear - all
96	1	RTC7600	Hylosil, 70 gram tube
97	4	RTC7601	Anti-freeze, Range Rover, 1 gallon
98	2	RTC7602	Tire, Michelin, 205R16 XM&S
99	1	RTC9582	Brushbar, wraparound, w/lampguards
100	1	STC8027	Lampguards, rear set
101	1	STC8269	Battery, dry
102	1	TKC3976	Filler cap - USA R/R
103	2	WA104001L	Plain washer
104	1	WF001	Weight, damper, A/C hose
105	2	YWB10032	Relay, multipurpose, green case

RANGE ROVER OF NORTH AMERICA, INC.

RECOMMENDED STOCKING LIST

PART NUMBERS ADDED

Item	Qty	Part #	Description
1	1	552819	Bush, shock upper
2	1	608000	Teflon ring
3	4	79086	Rivet
4	1	ERC3990	Gasket, intake manifold
5	2	ERC4949	Tappet, hydraulic, rocker arm
6	3	ERR2073	Belt, alternator
7	1	FN108041	Nut
8	1	FRC2889	Seal, oil
9	2	FRC3205	Joint washer, swivel pin housing
10	2	FTC951	Oil seal, rear stub axle from VIN LA
11	2	MTC5762	Rivet, lower tailgate
12	2	MXC5572	Vent, facia rail
13	1	MXC6829	Spoiler, 6 slot NAS spec
14	2	MXC8304	Washer, fiber, fender and fender angle
15	2	NTC1966	Nut exhaust mounting
16	5	NTC7867	Clip edge, clip RR B/E cap
17	2	NZ606041L	Nut, self-lock, propeller shaft
18	1	PRC8746	Spiral cassette
19	1	PRC9915	Switch, brake light with ABS
20	1	RTC6465	Decal bonnet and tailgate, silver
21	1	STC8027	Lampguards, rear set
22	1	STC8269	Battery, dry
23	2	WA104001L	Plain washer
24	1	WF001	Weight, damper, A/C hose

RANGE ROVER OF NORTH AMERICA, INC.

RECOMMENDED STOCKING LIST

PART NUMBERS DELETED

Item	Qty	Part #	Description
1	2	10211	Bulb, 12V 5W
2	5	230511	Joint washer, swivel ball drain plug
3	5	549473	Circlip, axle shaft, VIN LA on
4	1	559061	Switch, door, courtesy light
5	2	570829	Bulb, under bonnet & number plate lamp
6	1	571718	Oil seal, axle at swivel housing, R/R
7	1	589818	Tube, protector, HTD tlgte glass lead R/R
8	1	608066	Seal, steering box sector shaft, R/R
9	1	608067	Seal, backup, steering box sector shaft, R/R
10	1	611786	Gasket, thermostat cover, R/R
11	2	612326	Gasket for water pump, R/R
12	1	ADU3905	Pump - window washer - front & rear
13	1	ADU4903L	Bulb holder - lower trim facia
14	10	ADU7954	Clip, bumper end cap bracket, R/R
15	1	AFU2786L	Oil level indicator - in oil pan
16	4	AFU3075	Retainer, drive fastener
17	1	BTR384	Mirror, LH, outer, heated w/flat glass
18	1	BTR451	Grille, front radiator, VIN MA on
19	2	ERC5830	Grommet, air flow mtr., alt. fan guard
20	1	ERR767	Pulley, alternator, deep groove; 2.5" dia.
21	2	ETC5065	Oil seal, front crankshaft
22	1	ETC6660	Stepper motor, EFI, Range Rover
23	2	ETC7819	Gasket, cylinder head, 3.9 litre engine
24	2	ETC7899	Drive belt, alternator, late style, R/R
25	1	ETC8440	Guard, alternator fan, w/o rubber mounts
26	5	FRC2349	Gasket, bearing housing
27	1	FRC7043	Oil seal, flange, transfer gearbox
28	1	FRC8220	Oil seal, outer pinion bearing, diff.
29	1	FRC8227	Seal track spacer, axle assy.
30	2	FTC1381	Brake disc, rear, thick bell
31	1	MUC3490	Rubbing strip, rear wing RH
32	1	MUC9218	Fuse cover, up to VIN JA351032
33	1	MWC4813	Mirror, electric RH, convex, engraved warni
34	2	MWC9362	Capping, center grille deck panel
35	2	MXC1309SUA	Cover fixing, door pull, Sor. brown, KA VIN
36	2	MXC2043LCQ	Nozzle, heater demist

Part Numbers Deleted from Priority Stocking List, Continued.....

37	1	MXC4738RUN	Escutcheon, door lock knob
38	5	NH108041L	Nut
39	1	NRC5214	Retaining strip - rear bumper seal
40	1	NTC1081	Hose, top radiator, Range Rover
41	1	NTC4629	Plug, tow hitch, Range Rover
42	1	NTC5418	Cap - fuel filler
43	1	NTC5683	Mounting bracket, wing to end cap
44	1	NTC6936	Fuel filter, from VIN MA
45	1	NTC7297	Bottom hose, radiator VIN LA on
46	2	NTC7726	Shock Absorber, rear, from VIN LA417085
47	2	PAM1144	Bumper, rubber, gas flap door
48	1	PRC4348	Speedometer MPM (& mileage notice), R/R
49	1	PRC4352	Angle drive, speedometer head
50	1	PRC4615	Jet, headlamp wash
51	1	PRC5254	Switch-passenger side front window
52	1	PRC5440	Sensor, low washer fluid, R/R
53	1	PRC5463	Reflex, front wing
54	2	PRC5852	Gasket - fuel pump - Range Rover
55	1	PRC6030	Knob, switch, RH Squab, electric seat, R/R
56	1	PRC6164	Lamp/lens assy. front RH, Range Rover
57	1	PRC6165	Lamp/lens assy. front LH, Range Rover
58	1	PRC6278	Speedometer cable - upper
59	1	PRC6321	Horn high note
60	1	PRC6322	Horn low note
61	1	PRC6763	Label, fuses, to VIN JA351032
62	1	PRC6839	Wiper arm, front, 8mm, Range Rover
63	2	PRC6978	Oxygen sensor, R/R, from VIN JA303327
64	2	PRC7062	Sensor, Lambda oxygen, from VIN KA
65	1	PRC7204	Switch, oil pressure - R/R
66	1	PRC7899	Lamp assy., rear RH w/cable clip
67	1	PRC7900	Lamp assy., rear LH w/cable clip
68	1	PRC7921	Control unit, central locking, VIN LA on
69	1	PRC7925	Sensor, radiator exp. tank, VIN LA on
70	1	PRC8049	Relay, ABS pump
71	1	PRC8098	Actuator, CDL, front doors, VIN LA on
72	1	PRC8285	Lamp, auxiliary, fog style, Lucas
73	1	PRC8318	Fuel pump, EFI models
74	1	PRC8478	Control unit, warning lights
75	1	RRNA0900	Sheepskin Seatcover Set, Grey, R/R front
76	1	RRNA0901	Sheepskin Seatcover Set, natural, R/R
77	1	RRNA0908	Floor Mat Set, Winchester Grey, 3 piece
78	1	RRTH001	Roof Rack set, basic
79	1	RRTH005	Luggage Basket, for roof rack RRTH001
80	1	RTC3635	Bulb 1.2W (clock)

Part Numbers Deleted from Priority Stocking List, Continued.....

81	1	RTC3670	Steering damper kit
82	1	RTC4058T	Paint, touchup tube, Chamonix White
83	5	RTC4481	Fuse, 3 amp, blade
84	5	RTC4497	Fuse, 5 amp, blade
85	5	RTC4498	Fuse, 7.5 amp, blade
86	1	RTC4519	Brake pad set, rear, LH sensor lead, R/R
87	2	RTC4629K	Shock absorber, front, thru VIN LA
88	2	RTC4630K	Shock absorber, rear, to VIN LA417084
89	1	RTC5053	Alternator, R/R
90	1	RTC5254	Gasket set, engine head, R/R
91	1	RTC5551	Lens - rear RH, Range Rover
92	1	RTC5552	Lens - rear LH, Range Rover
93	1	RTC5553	Lens side RH rear, Range Rover
94	1	RTC5554	Lens side LH rear, Range Rover
95	1	RTC5628	Coil, ignition, Lucas
96	1	RTC5638	Seal, gas cap, rubber
97	1	RTC6061N	Starter motor, Range Rover
98	1	RTC6149	Thermostat, heater & A/C, VIN KA on
99	1	RTC6366	Heater core, VIN JA344072 to VIN LA
100	1	RTC6402T	Paint, touchup tube, Clearwater Blue
101	1	RTC6454T	Paint, touchup tube, Westminster Grey
102	1	RTC6593	Radiator, heater core, VIN LA on
103	1	RTC7623	Wiper blade, winter - 2 blade set
104	1	RTC8143	Lampguard, rear set
105	1	RTC8816	Side moulding kit, R/R, 4 door
106	1	RTC9507	Running boards, set
107	1	RTC9533	Wheel nuts, locking, set of 5 w/2 keys



RANGE ROVER

PARTS BULLETIN

CIRCULATION	
Dealer Principal	
General Manager	
Service Manager	X
Service Advisors	X
Parts Manager	X
Mechanic	X

Bulletin No. **SM-001/91**
 Section: **Sales and Marketing**

Sheet **1** of **1**

Dated: **January 2, 1991**

MODEL:
USA & Canada

Subject: **Ordering Part Number RTC6068S**

Effective immediately and until further notice, all of your orders for part number RTC6068S (piston assembly, 3.9L) must be placed with our Product Support Group via their Technical Hotline 1-800-562-5824. Len Pilius or Jim Davis will take your order and ship the pistons to you free of charge. The Parts System will not accept orders for this part number until this program is complete.

This order method will enable the Product Support Group to monitor the usage of replacement pistons and quickly lead to a resolution of the piston slap problem.



RANGE ROVER

PARTS BULLETIN

CIRCULATION	
Dealer Principal	
General Manager	
Service Manager	X
Service Advisors	X
Parts Manager	
Mechanic	

Bulletin No. **SM-002/91**
Sales and
 Section: **Marketing**

Sheet 1 of 3

Dated: **February 6, 1991**

MODEL:

**Range
Rover**

Subject: **Paint - Touch-up Tubes and Aerosols**

Note: This bulletin replaces SM-001, dated May 4, 1989.

USA COLORS

1987 Colors -
Standard Vehicle Tube Aerosol Spray Can - 150 m
 12.5 ml with Brush

Cambrian Grey	RTC4054T	RTC4054A
Chamonix White	RTC4058T	RTC4058A
Astral Silver	RTC4544T	RTC4544A
Caspian Blue	RTC4545T	RTC4545A
Cypress Green	RTC4546T	RTC4546A
Cassis Red	RTC4977T	RTC4977A

1988 Colors -
Standard Vehicle 12.5 ml with Brush Aerosol Spray Can - 150 m

Chamonix White	RTC4058T	RTC4058A
Savannah Beige	RTC4543T	RTC4543A
Cypress Green	RTC4546T	RTC4546A
Portofino Red	RTC5728T	RTC5728A
Colorado Silver	RTC5729T	RTC5729A
Alaskan Blue	RTC5730T	RTC5730A
Beluga Black	RTC5979T	RTC5979A

1989 Colors - Tube
All Models 12.5 ml with Brush Aerosol Spray Can - 150 m

Eastnor Green	RTC5981T	RTC5981A
Chamonix White	RTC4058T	RTC4058A
Savannah Beige	RTC4543T	RTC4543A
Portofino Red	RTC5728T	RTC5728A
Colorado Silver	RTC5729T	RTC5729A
Alaskan Blue	RTC5730T	RTC5730A
Cairngorm Brown	RTC5982T	RTC5982A
Beluga Black	RTC5979T	RTC5979A
Trocadero Red	RTC5983T	RTC5983A

1990 Colors - Tube
All Models 12.5 ml with Brush Aerosol Spray Can - 150 m

Chamonix White	RTC4058T	RTC4058A
Colorado Silver	RTC5729T	RTC5728A
Portofino Red	RTC5728T	RTC5728A
Eastnor Green	RTC5981T	RTC5981A
Westminster Grey	RTC6454T	RTC6454A
Clearwater Blue	RTC6402T	RTC6402A
Beluga Black	RTC5979T	RTC5979A
Cairngorm Brown	RTC5982T	RTC5982A
Ardennes Green	RTC6634T	RTC6634A
Trocadero Red	RTC5983T	RTC5983A

1991 Colors - Tube
All Models 12.5 ml with Brush Aerosol Spray Can - 150 m

Alpine White	RTC6870T	RTC6870A
Aspen Silver	RTC6810T	RTC6810A
Roman Bronze	STC9T	STC9A
Westminster Grey	RTC6454T	RTC6454A
Clearwater Blue	RTC6402T	RTC6402A
Ardennes Green	RTC6634T	RTC6634A
Trocadero Red	RTC5983T	RTC5983A
Beluga Black	RTC5979T	RTC5979A

GREY MARKET COLORS

We are stocking limited quantities of the following touch-up paints for non-USA Range Rovers.

12.5 ml with Brush Aerosol Spray Can - 150m

Arctic White	RTC4027T	RTC4027A
Lincoln Green	RTC4028T	RTC4028A
Bahama Gold	RTC4030T	RTC4030A
Sahara Dust	RTC4031T	RTC4031A
Masai Red	RTC4032T	RTC4032A
Russet Brown	RTC4033T	RTC4033A
Venetian Red	RTC4035T	RTC4035A
Shetland Beige	RTC4036T	RTC4036A
Denim Blue	RTC4037T	RTC4037A
Sierra Silver	RTC4038T	RTC4038A
Bronze Green	RTC4042T	RTC4042A
Marine Blue		RTC4043A
Limestone		RTC4044A
Tasman Blue	RTC4049T	RTC4049A
Balmoral Green	RTC4050T	RTC4050A
Arizona Tan	RTC4051T	RTC4051A
Derwent Blue	RTC4052T	RTC4052A
Nevada Gold	RTC4053T	RTC4053A

Note: These colors all match the original factory color. However, customers should be aware that fading and weathering of their vehicle's finish may alter it's color away from original specifications. Also, vehicles that have been repainted using after market paints are not likely to match OE colors.



RANGE ROVER

PARTS BULLETIN

CIRCULATION	
Dealer Principal	
General Manager	
Service Manager	
Service Advisors	
Parts Manager	X
Mechanic	

Bulletin No. **SM-003/91**
Sales and
 Section: **Marketing**

Sheet 1 of 5

Dated: **March 6, 1991**

MODEL:
Range Rover

Subject: **Manuals, Checklists, and Miscellaneous Materials**

This review list gives part numbers and descriptions of items which are stocked at Memphis, and can be ordered exactly like any other parts. You may want to make copies for various departments to have handy.

The normal terms for freight billing apply.

Note that this list shows items stocked at Memphis. There are similar numbers in this range which are stocked only at Lanham, and are obtainable only by submitting a Service Materials form:

<u>Part Number</u>	<u>Description</u>
RRNA0030/89	Checklist, 7.5K Mile Service - 49 State '89 Model
RRNA0030	Checklist, 7.5K Mile Service - 49 State '87, '88 Model
RRNA0031	Checklist, 7.5K Mile Service - California '87, '88 Model
RRNA0031/89	Checklist, 7.5K Mile Service - California '89 Model
RRNA0032	Checklist, 15K Mile Service - 49 State '87, '88 Model
RRNA0032/89	Checklist, 15K Mile Service - 49 State '89 Model
RRNA0033	Checklist, 15K Mile Service - California '87, '88 Model
RRNA0033/89	Checklist, 15K Mile Service - California '89 Model
RRNA0034	Checklist, 22K Mile Service - California '87, '88 Model
RRNA0034/89	Checklist, 22K Mile Service - California '89 Model
RRNA0035	Checklist, 22K Mile Service - 49 State '87, '88 Model
RRNA0035/89	Checklist, 22K Mile Service - 49 State '89 Model
RRNA0036	Checklist, 30K Mile Service - 49 State '87, '88 Model
RRNA0036/89	Checklist, 30K Mile Service - 49 State '89 Model
RRNA0037	Checklist, 30K Mile Service - California '87, '88 Model
RRNA0037/89	Checklist, 30K Mile Service - California '89 Model
RRNA0038	Checklist, 37.5K Mile Service - 49 State '87, '88 Model
RRNA0038/89	Checklist, 37.5K Mile Service - 49 State '89 Model
RRNA0039	Checklist, 37.5K Mile Service - California '87, '88 Model
RRNA0039/89	Checklist, 37.5K Mile Service - California '89 Model
RRNA0040	Checklist, 45K Mile Service - 49 State '87, '88 Model
RRNA0040/89	Checklist, 45K Mile Service - 49 State '89 Model

<u>Part Number</u>	<u>Description</u>
RRNA0041	Checklist, 45K Mile Service - California '87, '88 Model
RRNA0041/89	Checklist, 45K Mile Service - California '89 Model
RRNA0042	Checklist, 52.5K Mile Service - US '87, '88 Model
RRNA0042/89	Checklist, 52.5K Mile Service - 89 Model
RRNA0043	Checklist, 60K Mile Service - 49 State '87, '88 Model
RRNA0043/89	Checklist, 60K Mile Service. - 49 State '89 Model
RRNA0007B	Checklist, 7.5 Mile Service
RRNA0030/90	Checklist, 7.5K Mile Service - 49 State '90 Model
RRNA0030/91	Checklist, 7.5K Mile Service - 49 State '91 Model
RRNA0031/90	Checklist, 7.5K Mile Service - California '90 Model
RRNA0031/91	Checklist, 7.5K Mile Service - California '91 Model
RRNA0032/90	Checklist, 15K Mile Service -49 State '90 Model
RRNA0032/91	Checklist, 15K Mile Service - 49 State '91 Model
RRNA0033/90	Checklist, 15K Mile Service - California '90 Model
RRNA0033/91	Checklist, 15K Mile Service - California '91 Model
RRNA0034/90	Checklist, 22.5K Mile Service - California '90 Model
RRNA0034/91	Checklist, 22.5K Mile Service - California '91 Model
RRNA0035/90	Checklist, 22K Mile Service - 49 State '90 Model
RRNA0035/91	Checklist, 22K Mile Service - 49 State '91 Model
RRNA0036/90	Checklist, 30K Mile Service - 49 State '90 Model
RRNA0036/91	Checklist, 30K Mile Service - 49 State '91 Model
RRNA0037/90	Checklist, 30K Mile Service - California '90 Model

<u>Part Number</u>	<u>Description</u>
RRNA0037/91	Checklist, 30K Mile Service - California '91 Model
RRNA0038/90	Checklist, 37.5K Mile Service - 49 State '90 Model
RRNA0038/91	Checklist, 37.5K Mile Service - 49 State '91 Model
RRNA0039/90	Checklist, 37.5K Mile Service - California '90 Model
RRNA0039/91	Checklist, 37.5K Mile Service - California '91 Model
RRNA0040/90	Checklist, 45K Mile Service - 49 State '90 Model
RRNA0040/91	Checklist, 45K Mile Service - 49 State '91 Model
RRNA0041/90	Checklist, 45K Mile Service - California '90 Model
RRNA0041/91	Checklist, 45K Mile Service - California '91 Model
RRNA0042/90	Checklist, 52.5K Mile Service - '90 Model
RRNA0042/91	Checklist, 52.5K Mile Service - '91 Model
RTC7609	Manual, Radio Owner's (RTC7604 - Radio)
RTC7598	Manual, Radio Owner's (RTC7589 - Radio)
RTC7679	Manual, Radio Owner's (RTC7668 - Radio)
RTC7631	Manual, '89 County CD System
RTC7656	Manual, '90 County CD System
RRNA1987PS	Manual, Passport to Service - 1987
RRNA1988PS	Manual, Passport to Service - 1988
RRNA1989PS	Manual, Passport to Service - 1989
RRNA1990PS	Manual, Passport to Service - 1990
RRNA1991PS	Manual, Passport to Service - 1991
RRNA1991PSCN	Manual, Passport to Service - 1991 -Canadian Model
RRNA1987OM	Manual, Owner's 1987 Range Rover
RRNA1988OM	Manual, Owner's 1988 Range Rover
RRNA1989OM	Manual, Owner's 1989 Range Rover
RRNA1990OM	Manual, Owner's 1990 Range Rover
RRNA1991OM	Manual, Owner's 1991 Range Rover
RRNA1991OM/H	Manual, Owner's 1991 Hunter
RRNA0024	Manual, Electrical Troubleshooting
RRNA0020	Owner's Literature Wallet (Empty Wallet Only) '87, '88

<u>Part Number</u>	<u>Description</u>
RRNA0020/89	Owner's Literature Wallet (Empty Wallet Only) '89
RRNA0020/89CTY	Owner's Literature Wallet - County (Empty Wallet Only) '89
RRNA1987CW	Owner's Wallet, Complete 1987 Model
RRNA1988CW	Owner's Wallet, Complete 1988 Model
RRNA1989CW	Owner's Wallet, Complete 1989 Model
RRNA1989CW/CTY	Owner's Wallet, Complete 1989 Model - County Only
RRNA1990CW	Owner's Wallet, Complete 1990 Model
RRNA1990CW/CTY	Owner's Wallet, Complete 1990 Model - County Only
RRNA1991CW	Owner's Wallet, Complete 1991 Model
RRNA1991CW/H	Owner's Wallet, Complete 1991 Hunter
RRNA0023	Warranty Information Booklet - 100 Count
RRNA0019A	Warranty Claim Adjust Form 25/Pad Canada
RRNA0022A	Warranty Parts Return Packing List - Canada
RRNA0023	Warranty Information Booklet - 25 Count
RRNA0011	Warranty Handbook
RRNA0019	Warranty Claim Adjustment for - 25/Pad
RRNA0022	Warranty Parts Return Packing List
RRNA0008	Catalog, Service Bulletins, 1987--> On
RRNA0008KA	Catalog, Service Bulletins, 1989 MY
RRNA0008LA	Catalog, Service Bulletins, 1990 MY
RRNA0898	Quick Reference Guide
RRNA0899IS	Parts Catalog (Text Only)
RRNA0899B	Binder, Parts Catalog
RRNA652USWM	Binder, 4-Post - Workshop Manual
SRR652USWM	Workshop Manual
RRNA0009	Tool Board Overlay Set
RRNA0012	Dealer Parts Tags - 100 Count per Unit Order
RRNA0016	Service Bulletins Binder - Two Inch
RRNA0016A	Service Information Binder - One Inch



RANGE ROVER

PARTS BULLETIN

CIRCULATION	
Dealer Principal	
General Manager	
Service Manager	
Service Advisors	
Parts Manager	X
Mechanic	

Bulletin No. **SM-004/91**

Section: **Sales and Marketing**

Sheet **1** of **1**

Dated: **December 16, 1991**

MODEL:

**Range
Rover
NAS**

Subject: **STC8269 - Battery**

The STC8269 (dry) battery is now in stock and available from Memphis.

As this is the only battery approved for use in 1992 Range Rover models, we ask that each dealer now hold at least one (1) battery in parts inventory. Please add to your next stock order.



RANGE ROVER

PARTS BULLETIN

CIRCULATION	
Dealer Principal	
General Manager	
Service Manager	
Service Advisors	
Parts Manager	X
Mechanic	

Bulletin No. **PR-001/91**

Section: **Pricing**

Sheet 1 of 2

Dated: **January 29, 1991**

MODEL:

**Range
Rover
All**

Subject: **Free Freight Program - Update**

Please be advised that the following addition has been made to the Free Freight Program, effective January 28, 1991.

RTC6497 - ECU Antilock Brake System

Attached you will find the new listing of Free Freight Parts.

FREE FREIGHT PARTS

ETC6256	3.5 Full Engine Assy.
RTC5268N	3.5 Stripped Engine Assy.
RTC6364N	3.9 Stripped Engine Assy.
ETC7714	3.5 Short Engine
ETC7801	3.9 Short Engine
ERC3346	3.5 Cylinder Head
ETC5845	3.5 Cylinder Head
ETC8622	3.9 Cylinder Head
ETC6268	Distributor Assy.
RRA1000R	ZF Remanufactured Automatic Transmission, 1987 and 1988
FTC587R	ZF Remanufactured Automatic Transmission, 1989
FTC1278R	Remanufactured Automatic Transmission, 3.9 Engine
FTC255N	ZF Transmission - New, 87/88
FTC587N	ZF Transmission - New, 89 Only
FTC1278N	ZF Transmission - New, 3.9L Engine
FRC9474N	Transfer Box, 1987 and 1988
FTC816N	Transfer Box, 1989
FTC1564N	Transfer Box, VIN LA
NTC1581	Steering Box
FRC8521	Differential
FTC782	Differential
PRC5053	ECU to VIN HA303326
PRC6977	ECU from VIN HA303327
PRC6999	ECU 3.9 Engine
PRC8747	ECU VIN LA
RTC6497	ECU Antilock Brake System



RANGE ROVER

PARTS BULLETIN

CIRCULATION	
Dealer Principal	
General Manager	
Service Manager	
Service Advisors	
Parts Manager	X
Mechanic	

Bulletin No. **PR-002/91**

Section: **Pricing**

Sheet **1** of **1**

Dated: **May 24, 1991**

MODEL:

**Range
Rover
All**

Subject: **Price Change - Michelin Tire, Part Number RTC7602**

Effective immediately, the price of RTC7602 - Michelin Tire - has been changed to the following price:

\$D/N	-	\$126.92
Suggested List	-	\$179.95



RANGE ROVER

PARTS BULLETIN

CIRCULATION	
Dealer Principal	
General Manager	
Service Manager	
Service Advisors	
Parts Manager	X
Mechanic	

Bulletin No. **PR-003/91**

Section: **Pricing**

Sheet **1** of **1**

Dated: **November 7, 1991**

MODEL:

**Range
Rover
All**

Subject: **Price Change - RTC3650 - Tubing**

Effective immediately, the price of RTC3650 - 50' roll, washing jet tubing - has been changed to the following price:

Dealer Net - \$14.78 (USA), Suggested Retail - \$24.64 (USA)

Dealer Net - \$23.36 (CAN), Suggested Retail - \$38.94 (CAN)

Please be aware that this is available only in 50' rolls.



PARTS BULLETIN

CIRCULATION	
Dealer Principal	
General Manager	
Service Manager	X
Service Advisors	X
Parts Manager	X
Mechanic	X
Sales Manager	X

Bulletin No. **AC-001/91**

Section: **Accessories**

Sheet 1 of 1

Dated: **January 9, 1991**

MODEL:

**Range
Rover
USA
&
Canada**

Subject: **Installation Times for Accessories**

The following are suggested installation times for RRNA Select Accessories. This list supersedes any previous accessory installation times you may have received.

No installation times have been given for the Roof Rack System because of the numerous combinations possible.

ACCESSORY INSTALLATION TIMES

DESCRIPTION	PART NUMBER	INSTALLATION TIMES (HOURS)
Alloy Wheel 5-Spoke	RTC9526	.5
Antenna - Electric, Fully Automatic	RTC8907	
Antenna - Fixed Mount, Retractable	PRC4336	---
Body Side Moulding Kit (all years)	RTC8816	1.0
Brushbar - Polished Aluminum	RTC8832	1.7
Brushbar - Black, Straight Style	RTC8833	1.1
Brushbar - Black, Wraparound, with removable lampguards	RTC9582	1.1
Bumper - Brushbar	RRNA800SB	1.1
Car Cover	RRNA0912	---
CD Changer Kit (1991 on Non-GDE)	RTC7669K	1.0
Dog Guard Black Mesh Style	RTC8092	1.4
Dog Guard Grey Bar Style	RTC8093	1.4
Engine Block Heater	RRNA0911	1.2
Fire Extinguisher 1kg	RTC9537	.3
Fire Extinguisher 2kg	RTC9536	.3
Floormat Set - Brown	RRNA0907	.2
Floormat Set - Grey	RRNA0908	.2
Floormat Set - Grey 87, 88 Model Only	RRNA0905	.2
Front Mud Flap Kit Up to VIN KA374641	320850	.5
Front Mud Flap Kit From VIN KA374642	RTC9562	.5
Gun Clip Set (for mesh style dog guard)	RTC8951	.2
Gun Clip Set (for bar style dog guard)	RTC8094	.2
Gun/Security Box	STC8018	1.0
Lamp Covers (Spoiler Lamps - Lucas Style)	RRNA0909	---
Loadspace Protector (1/2 length)	RTC8871	.1
Loadspace Protector, foldable (1/2 length)	STC8028	.6
Loadspace Protector (full length)	RTC8858	.1
Loadspace Carpet - Brown	RRNA0917	.1
Loadspace Carpet - Grey	RRNA0918	.1
Loadspace Carpet - Grey 87, 88 Models Only	RRNA0906	.1
Paint (touch-up)	Consult Dealer	---
Rear Lamp Guards	RTC8143	1.0
Running Boards	RTC9507	1.6
Locking Wheel Nuts (set of 5)	RTC9533	.3
Roof Rack, H.D.	RTC9594	.5
Saddle Rack	STC8032	1.8
Sheepskin Seat Cover Set - Grey	RRNA0900	.5
Sheepskin Seat Cover Set - Beige	RRNA0901	.5
Snowchains, set of two, 205R16	RTC9589	.5
Sunroof Air Deflector - '87-'90	RRNA0910	.2
Sunroof Air Deflector - 1991 On -->	RRNA0902	.2
Trailer Wiring Harness	PRC4143	---
Winter Wiper Blades	RTC7623	---
Waterproof Seat Covers (set, grey)	RTC8083	1.0
Waterproof Seat Covers (set, beige)	RTC8084	1.0
Range Rover Roof Rack System:		
Angled Ski Carrier, Lockable	RRTH003	
Basic Rack Set	RRTH001	
Luggage Basket, 39"x40"	RRTH005	
Luggage Strap, 400cm	RRTH006	
Load Stop, Set of 4 (oversize loads)	RRTH007	
Quick Strap (used with Load Stop)	RRTH008	
Rack Lock Set, for basic rack	RRTH002	
Range Rover Luggage Box	RRTH004	
Range Rover Luggage Box (Black)	RRTH004BL	
Sailboard Carrier (with Mast Holder)	RRTH009	



RANGE ROVER

PARTS BULLETIN

CIRCULATION	
Dealer Principal	X
General Manager	X
Service Manager	X
Service Advisors	X
Parts Manager	X
Mechanic	X
Sales Manager	X

Bulletin No. **AC-002/91**

Section: **Accessories**

Sheet **1** of **1**

Dated: **January 15, 1991**

MODEL:

**Range
Rover
ALL**

Subject: **Snowchains RTC9589**

A set of two snowchains with carry bag has been introduced into the Select Accessories range.

The chains come as a set of two, able to be fitted in pairs to either the front or rear axle. They incorporate a spring steel bow which snaps into position on the tyre, thus requiring no assembly before use. The chains are galvanized to protect against corrosion, and have hardened steel links for long life. A heavy duty grained vinyl storage bag is included for storage of the chains when not needed.

These are the ONLY chains approved by Land Rover for fitment to the front or rear axles. The recommended maximum speed is 25 mph. The part number for these chains is RTC9589. Orders will be accepted immediately.

USA pricing has been set at Dealer Net \$434.52, and Suggested Retail \$543.15 in US dollars. Canadian pricing has been set at Dealer Net \$686.54, and Suggested Retail \$858.18 in Canadian dollars.

If there are any questions, contact your Zone Manager or Duncan Crook.

=====
Set of two snowchains with carry bag - RTC9589

USA Dealer Net	-	\$434.52 (US dollars)
USA Suggested Retail-		\$543.15 (US dollars)

Canadian Dealer Net	-	\$686.54 (Canadian dollars)
Canadian Suggested Retail-		\$858.18 (Canadian dollars)



RANGE ROVER

PARTS BULLETIN

CIRCULATION	
Dealer Principal	X
General Manager	X
Service Manager	X
Service Advisors	X
Parts Manager	X
Mechanic	X
Sales Manager	X

Bulletin No. **AC-003/91**

Section: **Accessories**

Sheet 1 of 1

Dated: **January 15, 1991**

MODEL: Range Rover USA and Canada

Subject: **Foldable Loadspace Protector - STC8028**

A new, foldable loadspace protector has been introduced into the Select Accessories range.

This is an all new item, featuring tough PUC coated nylon to protect the cargo area. This protector covers the entire cargo area, including the tailgate. Installation and removal is quick and easy, thanks to the new retention system. This unit can be wiped clean and stored in the included carry bag when not needed.

The part number for this protector is STC8028.

USA pricing has been set at Dealer Net \$129.46, and Suggested Retail \$215.77 in US dollars. Canadian pricing has been set at Dealer Net \$204.55, and Suggested Retail \$340.92 in Canadian dollars.

To introduce this item, all dealers will be sent one unit on your next stock order. If after sixty days you wish to return this item, you may do so without penalty.

If there are any questions, contact your Zone Manager or Duncan Crook.

Foldable loadspace protector - STC8028

USA Dealer Net	-	\$129.46 (US dollars)
USA Suggested Retail	-	\$215.77 (US dollars)

Canadian Dealer Net	-	\$204.55 (Canadian dollars)
Canadian Suggested Retail	-	\$340.92 (Canadian dollars)



RANGE ROVER

PARTS BULLETIN

CIRCULATION	
Dealer Principal	
General Manager	
Service Manager	
Service Advisors	
Parts Manager	X
Mechanic	
Sales Manager	X

Bulletin No. **AC-004**
 Section: **Accessories**
 Sheet 1 of 1
 Dated: **March 20, 1991**

MODEL:

**Range
 Rover
 All**

Subject: **Luggage Boxes - RRTH004 and RRTH004BL**

In order to better aid the dealerships in marketing the roof rack luggage box, part numbers RRTH004 and RRTH004BL, we are providing the following information.

Specifications

	Length:	Width:	Height:
Outer Dimension	2500mm/98"	930mm/36"	360mm/14"
Inside Dimension	2350mm/92"	850mm/33"	310mm/12"

Weight (empty) - 30 kg/66 pounds

Overall Height (installed) - Two feet as measured from the rain gutter

These specifications apply to both RRTH004 and RRTH004BL. If there are any questions about this or any accessory, please contact Range Rover.



RANGE ROVER

PARTS BULLETIN

CIRCULATION	
Dealer Principal	
General Manager	
Service Manager	
Service Advisors	
Parts Manager	X
Mechanic	

Bulletin No. **AC-005/91**
 Section: **Accessories**
 Sheet 1 of 1
 Dated: **May 5, 1991**

MODEL: Range Rover All
--

Subject: **Auxiliary Lamp Covers RRNA0909 and RRNA0903**

There have been two manufacturers of the spoiler mounted auxiliary lamps used on Range Rovers. This is important to remember in determining the correct part number for auxiliary lamp covers.

Lamp covers with part number RRNA0909 are designed to fit lamps manufactured by LUCAS. These lamps were fitted to Range Rovers from model year 1987 through model year 1990.

Beginning with the 1991 model year, all Range Rovers are fitted with lamps manufactured by WIPAC. The correct part number for lamp covers to fit these lamps is RRNA0903.

Please make note that, as this change occurred after the accessory brochure had been printed, this information is not in the brochure.

RRNA0909 --> fits 1987 through 1990 model Range Rover

RRNA0903 --> fits 1991 on model Range Rover



RANGE ROVER

PARTS BULLETIN

CIRCULATION	
Dealer Principal	
General Manager	X
Service Manager	
Service Advisors	
Parts Manager	X
Mechanic	
Sales Manager	X

Bulletin No. **AC-006/91**
 Section: **Accessories**
 Sheet 1 of 1
 Dated: **May 24, 1991**

MODEL:

**Range
 Rover
 All**

Subject: **"IMPRESSIONS" Merchandise**

In order to make ordering, availability, and billing of the "IMPRESSIONS" merchandise easier and more reliable, distribution will now be handled via the normal parts ordering system.

Effective May 28, 1991, your Range Rover computer will have all part numbers and pricing available for your use. Attached is a listing of all part numbers, descriptions and pricing. Please distribute this listing to the Sales Department and anyone else in the dealership who sells the "IMPRESSIONS" merchandise.

All "IMPRESSIONS" merchandise ordered will be shipped from Memphis as normal parts are, and will be shown on packing lists and will be billed just as normal parts are.

Range Rover Marketing will be reissuing merchandise information shortly reflecting these changes.

This change in ordering procedure will make the "IMPRESSIONS" program easier to administer and result in increased sales for your dealership.

PART	DESCRIPTION	DEALER COST	RETAIL COST
RR01GL	SHIRT, CLASSIC POLO, GREEN, LARGE	22.65	37.95
RR01GM	SHIRT, CLASSIC POLO, GREEN, MEDIUM	22.65	37.95
RR01GS	SHIRT, CLASSIC POLO, GREEN, SMALL	22.65	37.95
RR01GX	SHIRT, CLASSIC POLO, GREEN, EXTRA LARGE	22.65	37.95
RR01GXX	SHIRT, CLASSIC POLO, GREEN, XXL	22.65	37.95
RR01L	SHIRT, CLASSIC POLO, WHITE, LARGE	22.65	37.95
RR01M	SHIRT, CLASSIC POLO, WHITE, MEDIUM	22.65	37.95
RR01S	SHIRT, CLASSIC POLO, WHITE, SMALL	22.65	37.95
RR01X	SHIRT, CLASSIC POLO, WHITE, EXTRA LARGE	22.65	37.95
RR01XX	SHIRT, CLASSIC POLO, WHITE, XXL	22.65	37.95
RR02GL	SHIRT, AUTHENTIC RUGBY, GREEN, LARGE	46.50	67.95
RR02GM	SHIRT, AUTHENTIC RUGBY, GREEN, MEDIUM	46.50	67.95
RR02GS	SHIRT, AUTHENTIC RUGBY, GREEN, SMALL	46.50	67.95
RR02GX	SHIRT, AUTHENTIC RUGBY, GREEN, EXTRA LG	46.50	67.95
RR02GXX	SHIRT, AUTHENTIC RUGBY, GREEN, XXL	46.50	67.95
RR02L	SHIRT, AUTHENTIC RUGBY, CREAM, LARGE	46.50	67.95
RR02M	SHIRT, AUTHENTIC RUGBY, CREAM, MEDIUM	46.50	67.95
RR02S	SHIRT, AUTHENTIC RUGBY, CREAM, SMALL	46.50	67.95
RR02X	SHIRT, AUTHENTIC RUGBY, CREAM, EXTRA LG	46.50	67.95
RR02XX	SHIRT, AUTHENTIC RUGBY, CREAM, XXL	46.50	67.95
RR03	PEN, BALLPOINT, "RANGE ROVER"	4.80	8.25
RR04	LUGGAGE TAG, PLASTIC	1.75	3.25
RR05	MONEY CLIP/KNIFE	8.45	14.50
RR06	LICENSE PLATE, "RANGE ROVER"	1.99	5.00
RR07	MUG, COFFEE, "RANGE ROVER"	4.50	7.75
RR09	LAND ROVER UNBEATABLE 4 X 4 BOOK	20.00	28.00
RR10	PIN, LAPEL, "RANGE ROVER"	1.50	3.50
RR12	SPORTBAG, PACKCLOTH	26.90	45.00
RR13	UMBRELLA, FOLDING	19.50	37.50
RR14	MODEL RANGE ROVER, PEWTER	39.00	70.00
RR18	LEATHER PORTFOLIO W/NOTE PAD	51.25	79.95
RR19	POCKET PLANNER, LEATHER	25.25	44.95
RR20	ATTACHE CASE	55.35	105.00
RR21	HOLDER, BUSINESS CARD, LEATHER	10.75	14.95
RR23	LUGGAGE TAG, LEATHER	2.50	5.75
RR24	KEY RING, DIE STRUCK	8.50	12.50
RR25	WALLET, LEATHER	23.25	42.95
RR26	BINOCULARS, MINI	4.95	6.95
RR27	FLASHLIGHT	7.00	9.95
RR28L	SHIRT, SAFARI, LARGE	36.50	62.95
RR28M	SHIRT, SAFARI, MEDIUM	36.50	62.95
RR28S	SHIRT, SAFARI, SMALL	36.50	62.95
RR28X	SHIRT, SAFARI, EXTRA LARGE	36.50	62.95
RR28XX	SHIRT, SAFARI, EXTRA EXTRA LARGE	36.50	62.95
RR29L	SWEATER, CREW NECK, LARGE	34.99	57.95
RR29M	SWEATER, CREW NECK, MEDIUM	34.99	57.95
RR29S	SWEATER, CREW NECK, SMALL	34.99	57.95
RR29X	SWEATER, CREWNECK, EXTRA LARGE	34.99	57.95
RR29XX	SWEATER, CREWNECK, EXTRA EXTRA LARGE	34.99	57.95
RR30	CORK SCREW	1.95	3.00
RR31	TOTE BAG, CANVAS	4.30	7.50
RR32	SUNVISOR	3.50	7.50
RR33	KNIFE, SWISS ARMY	28.95	46.95
RR34	TRAVEL KIT	28.00	45.00
RR35	WOOD NOTE PAD HOLDER	8.75	15.00
RR37	MODEL RANGE ROVER, CRYSTAL	427.50	750.00
RR38L	JACKET, G.D.E. STYLE, INSULATED, LARGE	100.00	174.95
RR38M	JACKET, G.D.E. STYLE, INSULATED, MEDIUM	100.00	174.95
RR38S	JACKET, G.D.E. STYLE, INSULATED, SMALL	100.00	174.95
RR38X	JACKET, G.D.E. STYLE, INSULATED, X-LARGE	100.00	174.95
RR38XX	JACKET, G.D.E. STYLE, INSULATED, XXL	100.00	174.95
RR39L	JACKET, GDE STYLE, UNINSULATED, LARGE	81.25	139.95
RR39M	JACKET, GDE STYLE, UNINSULATED, MEDIUM	81.25	139.95
RR39S	JACKET, GDE STYLE, UNINSULATED, SMALL	81.25	139.95
RR39X	JACKET, GDE STYLE, UNINSULATED, X-LARGE	81.25	139.95
RR39XX	JACKET, GDE STYLE, UNINSULATED, XX LARGE	81.25	139.95
RR40	COOLER, SOFT SIDE, INSULATED	25.75	42.00
RR41	CAP, CORDUROY, BASEBALL STYLE	10.00	14.95
RR42	CHAIR, FOLDING, "EASY SEAT"	37.50	65.00
RR43	CUP COOLER, INSULATED	2.99	5.00
STCB200	MODEL RANGE ROVER, PEWTER	39.00	70.00



RANGE ROVER

PARTS BULLETIN

CIRCULATION	
Dealer Principal	
General Manager	
Service Manager	
Service Advisors	
Parts Manager	X
Mechanic	

Bulletin No. **AC-007/91**

Section: **Accessories**

Sheet **1** of **1**

Dated: **May 30, 1991**

MODEL:
Range Rover 1987 1988

Subject: **Floor Mat RRNA0905**

The floor mats for 1987-1988 Range Rovers, part number RRNA0905, have been discontinued.

Effective immediately, any 1987-1988 Range Rover which requires floor mats will use RRNA0908.

=====

RRNA0905

Discontinued
Use

RRNA0908



RANGE ROVER

PARTS BULLETIN

CIRCULATION	
Dealer Principal	X
General Manager	X
Service Manager	X
Service Advisors	X
Parts Manager	X
Mechanic	
Sales Manager	X

Bulletin No. AC-008/91

Section: Accessories

Sheet 1 of 1

Dated: June 26, 1991

MODEL:

Range
Rover
All

Subject: Winch - RTC8138GDE

Range Rover is pleased to announce the introduction of an electric, vehicle mounted, self-recovery winch and brush bar combination into the range of Select Accessories. This winch kit is the same as used on vehicles in the Great Divide Adventure and the 1990 RRNA Driving Academy.

The unit features an 8,000 pound capacity winch with 100 feet of 5/16" aircraft grade wire rope. The winch is contained in a bumper/brush bar combination with two towing eyes and a roller fairlead. Also included with the winch setup are an instructional video, winching manual, winch owner's manual, and a winching accessory kit.

Each dealer will be billed and sent one copy of the instructional video, when available. Use it to familiarize yourself with the winch and to show prospective customers.

Installation time for this accessory is listed at two hours.

The attached flyer illustrates and describes the winch and accessory kit. Each dealer will be sent an initial supply of flyers. Orders will be allowed starting July 22, 1991. Stock will be available in Memphis by date. The winch and bar are available only as one complete unit. The winch cannot be mounted individually, and the bar is not available as a separate item.

=====

GDE Style Winch Package - RTC8143GDE

Dealer Net - \$1,706.25 (USA), Suggested Retail - \$2,275.00 (USA)
Dealer Net - \$2,696.57 (CAN), Suggested Retail - \$3,595.43 (CAN)



RANGE ROVER

PARTS BULLETIN

CIRCULATION	
Dealer Principal	
General Manager	
Service Manager	X
Service Advisors	X
Parts Manager	X
Mechanic	
Sales Manager	X

Bulletin No. **AC-009/91**

Section: **Accessories**

Sheet 1 of 2

Dated: **June 26, 1991**

MODEL:

**Range
Rover
All**

Subject: **Rigid Loadspace Protectors RTC9596 and RTC8858**

The rigid loadspace protectors, part numbers RTC8871, RTC9596, RTC8858, and RTC9598 will not fit any 1989 and later Range Rover equipped with a factory CD unit. This includes 1989/90 County, 1991 GDE, 1991 core model, 1991 County SE.

These loadspace protectors will fit all 1987, 1988 and 1990 non-County models. They will also fit 1991 GDE without CD changer and 1991 Hunter model Range Rovers.

All salespersons and Parts Managers have been sent the attached letter clarifying applications.

Please be aware of this when recommending accessory choices.

June 24, 1991

Dear Salesperson/Parts Manager:

There has been some confusion recently over the fitment of the rigid loadspace protectors RTC9596 and RTC8858 to the different models of Range Rover.

In order to clarify which Range Rover models will and will not accept the loadspace protector, I have compiled the following chart. The application applies to both half length and full length rigid loadspace protectors.

<u>MODEL</u>	<u>FIT - YES/NO</u>
All 1987-1988 Range Rovers	Yes
1989 County Models	No
1989 All Other Models	Yes
1990 County	No
1990 Standard	Yes
1991 GDE with Factory CD Changer	No
1991 Hunter	Yes
1991 Core and County SE	No

Just as a reminder, the foldable loadspace protector - STC8028 - will fit ALL Range Rovers.

Please keep this letter with your accessory brochure for future reference.



RANGE ROVER

PARTS BULLETIN

CIRCULATION	
Dealer Principal	
General Manager	
Service Manager	
Service Advisors	X
Parts Manager	X
Mechanic	
Sales Manager	X

Bulletin No. AC-010/91

Section: Accessories

Sheet 1 of 1

Dated: June 26, 1991

MODEL:

Range
Rover
All

Subject: Winch Support Items - RTC9520GDE and RTC8138WIV

With the introduction of the GDE Winch Package, Range Rover has made several components available separately.

First, the winching accessory kit is available. It contains one (1) 10 foot chain, one (1) tree strap, two (2) D-shackles, one (1) pair of gloves, one (1) pulley block, and a logoed carrybag. Stock is available and orders will be accepted.

The second item is the instructional winching video. This is in VHS format, approximately 15 minutes in length, and describes and demonstrates safe winching technique. Orders will be accepted beginning July 15, 1991.

The third item is a winching manual by Land Rover. This is a soft-bound manual outlining safe winching techniques and discussing winching theory and operation. Stock is available and orders will be accepted.

=====

Winching Accessory Kit - RTC9520GDE

Dealer Net - \$146.25 (USA), Suggested Retail - \$225.00 (USA)

Dealer Net - \$231.13 (CAN), Suggested Retail - \$355.59 (CAN)

Winching Instructional Video - RTC8138WIV

Dealer Net - \$ 30.00 (USA), Suggested Retail - \$ 39.95 (USA)

Dealer Net - \$ 47.41 (CAN), Suggested Retail - \$ 63.14 (CAN)

Winching in Safety Handbook - SMR699MI

Dealer Net - \$ 23.23 (USA), Suggested Retail - \$ 37.47 (USA)

Dealer Net - \$ 39.15 (CAN), Suggested Retail - \$ 65.24 (CAN)



RANGE ROVER

PARTS BULLETIN

CIRCULATION	
Dealer Principal	
General Manager	
Service Manager	
Service Advisors	X
Parts Manager	X
Mechanic	
Sales Manager	X

Bulletin No. AC-011/91
 Section: Accessories
 Sheet 1 of 1
 Dated: June 10, 1991

MODEL:

 USA
 Range
 Rover
 All

Subject: **Straight Brush Bar - RTC9548**

A new style straight brush bar with removable lampguards has been introduced into the Select Accessories range.

This unit features styling similar to the wrap around unit, with completely removable lampguards. The guards remove with the two thumbscrews and no tools are required for removal.



The part number for this brush bar is RTC9548. Orders will be allowed starting July, 1991. Stock will be available at Memphis that date.

=====
 Straight Brush bar with removable lampguards - RTC9548

Dealer Net - \$315.00 (USA), Suggested Retail - \$525.00 (USA)
 Dealer Net - \$497.83 (CAN), Suggested Retail - \$829.71 (CAN)



RANGE ROVER

PARTS BULLETIN

CIRCULATION	
Dealer Principal	
General Manager	X
Service Manager	
Service Advisors	X
Parts Manager	X
Mechanic	
Sales Manager	X

Bulletin No. AC-012/91
 Section: Accessories
 Sheet 1 of 1
 Dated: June 11, 1991

MODEL:
Range Rover All

Subject: **Heavy Duty Roof Rack - RTC9594**

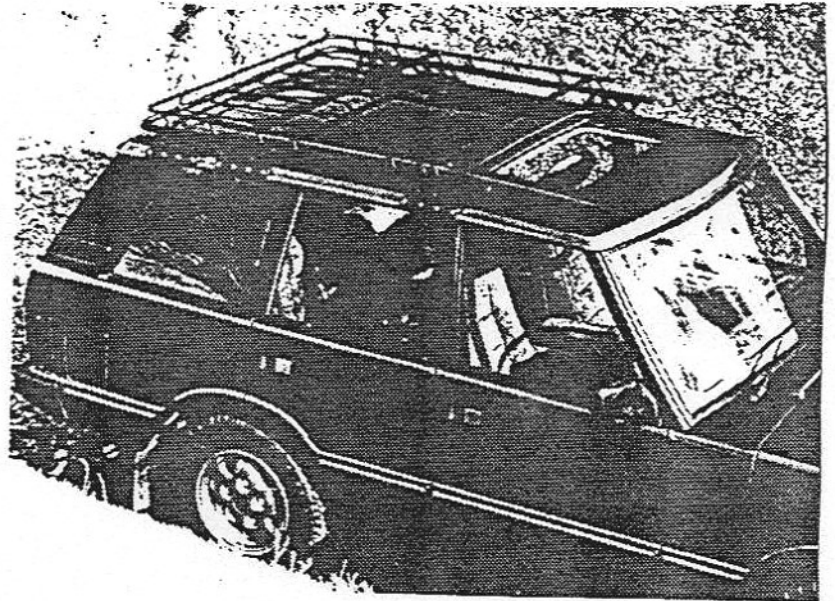
A new style roof rack has been introduced into the Select Accessories range, produced by Land Rover Parts.

This unit clamps to the vehicle rain gutters, and can be installed and removed easily.

The unique design allows for carrying a variety of items.

The maximum capacity of this rack is 100 pounds.

The part is in stock and available for order.



Heavy Duty Roof Rack - RTC9594

Dealer Net - \$451.75 (USA), Suggested Retail - \$ 695.00 (USA)
 Dealer Net - \$713.95 (CAN), Suggested Retail - \$1,098.38 (CAN)



RANGE ROVER

PARTS BULLETIN

CIRCULATION	
Dealer Principal	
General Manager	X
Service Manager	
Service Advisors	X
Parts Manager	X
Mechanic	
Sales Manager	X

Bulletin No. **AC-013/91**

Section: **Accessories**

Sheet 1 of 1

Dated: **June 24, 1991**

MODEL:

**USA
Range
Rover
All**

Subject: **Bike Rack - RRNA0923TL/RRNA0923BK**

A hitch-mounted bike rack has been introduced into the Select Accessories range.

This unique unit mounts in the trailer hitch receiver, and it will carry up to four bikes. The rack design allows access and use of both the upper and lower tailgates without removing the bikes from the rack.

This bike rack will be available in both Teal Blue (pictured in the flyer) and Black.

The attached flyer illustrates and describes the features and benefits. Each dealer will be sent an initial supply of flyers and will also be sent one Teal rack (RRNA0923TL), on your next Stock Order. Stock of the Teal rack is on hand and orders will be accepted. The Black rack will be available and orders accepted starting July 12, 1991.

=====
Bike Rack, Teal - RRNA0923TL

Bike Rack, Black - RRNA0923BK

Dealer Net - \$209.97 (USA), Suggested Retail - \$299.95 (USA)

Dealer Net - \$331.84 (CAN), Suggested Retail - \$474.04 (CAN)



RANGE ROVER

PARTS BULLETIN

CIRCULATION	
Dealer Principal	
General Manager	
Service Manager	X
Service Advisors	X
Parts Manager	X
Mechanic	

Bulletin No. **AC-014/91**

Section: **Accessories**

Sheet 1 of 1

Dated: **August 21, 1991**

MODEL:

**Range
Rover
USA and
Canada**

Subject: **Service Kit STC8073 for RTC9582 and RTC9548 Brush Bars
Service Kit STC8049 for RTC9507 Running Boards**

Please be advised that service kits for RTC9582 and RTC9548 Brush Bars and RTC9507 Running Boards are now available.

The kit for RTC9582 and RTC9548 contains two (2) rubber bump strips and fixings. The part number for this kit is STC8073.

The kit for RTC9507 contains all the rubber mats and fixings. The part number for this kit is STC8049.



RANGE ROVER

PARTS BULLETIN

CIRCULATION	
Dealer Principal	
General Manager	
Service Manager	X
Service Advisors	X
Parts Manager	X
Mechanic	

Bulletin No. **AC-015/91**

Section: **Accessories**

Sheet 1 of 1

Dated **November 13, 1991**

MODEL:

**Range
Rover
USA and
Canada**

Subject: **Supersession of RTC8143 to STC8027 (Rear Lampguards)**

Part number RTC8143 has been superseded to part number STC8027 (rear lampguards).

This supersession is not only a part number supersession, but is also a design supersession. The new lampguards are fully integrated into the body and are manufactured using the same high quality materials as the old style lampguards. The new style is not hinged, but removal is a simple process when cleaning or bulb replacement is necessary.

Warranty orders will still be taken for the old style lampguards by calling Duncan Crook at (301) 731-8744 (for dealers within the continental United States) or Alan Manessy at (416) 238-0602 (for all Canadian dealers).

A copy of the installation instructions included in every set of lampguards is attached to this bulletin.

Prices have changed as well. The STC8027 Kit is:

Dealer Cost - \$126.00 (USA)	Suggested Retail - \$210.00 (USA)
- \$199.14 (CAN)	- \$331.91 (CAN)

Attachment

Fitting Instructions



**LAND ROVER
PARTS LTD**

International House
Bickenhill Lane
Birmingham B37 7HQ
England

Telephone: 021-781 6000
Telex: LAN PAR G 334685
Fax: 021-781 0253

REAR LAMP GUARDS

RANGE ROVER

STC 8027

Right hand Side Illustrated.

Remove lamp cluster fixing screws (X,Y) and replace with spacer assemblies (F), with washers (G) in place (see figure 1). Assemble fixings (C,D,E,) onto guard (see figure 1). Mask off rear wing panel forward of rear lamp, adjacent to body joint line (see figure 1). Mount lamp guard onto spacer using allen key supplied (DO NOT OVERTIGHTEN). Position rubber moulding (H) onto guard and hold firmly into place against guard and bodywork. Mark position of moulding (see figure 1). Remove lamp guard and rear lamp cluster. Cut out template from reverse of figure 1, position up to marked lines and mark position of fixing holes.(Alternatively use dimensions given on template), and drill two 7mm (9/32") holes at points marked. Ensure wiring is clear of areas to be drilled. Re touch paintwork around holes. Remove masking tape and mount rubber moulding (H) using fixings (K,L,M) taking care to keep rubber moulding pressed rearwards. Remount lamp cluster using original fixings and spacer assembly (F) making sure shakeproof washers (G) are in place, fully tighten all screws. Remount guard.

Repeat for Left hand side.

KIT CONTENTS.

- | | |
|------------------------------------|--------------------------------|
| A. 1 Rear Guard R/H | H. 2 Rubber Moulding Assy |
| B. 1 Rear Guard L/H | J. 1 Paper Pattern |
| C. 4 M6x12 St/Less Button Hd Screw | K. 4 M5x16 St/Less Hx Hd Screw |
| D. 4 M6 Nylon Washer | L. 4 M5 St/Less Washer |
| E. 4 M6 Retaining Washer | M. 4 M5 St/Less Nut |
| F. 4 Space Assy | N. 1 M4 Allen Key |
| G. 4 M4 Internal Shakeproof Washer | |

Warning

Accessories which are not properly fitted can be dangerous

Read the instructions carefully prior to fitting

Whilst fitting comply with the instructions at all times

If in doubt contact your nearest Land Rover Dealer

Registered in England No 48224

Registered Office

Hatfield Road, Hatfield

Coventry CV4 9DB

Land Rover Parts Ltd is a Managing

Agent for Rover Group Ltd

REMOVE SCREWS (X) & (Y) AND
REPLACE WITH SPACER ASSYS (F) & (G)

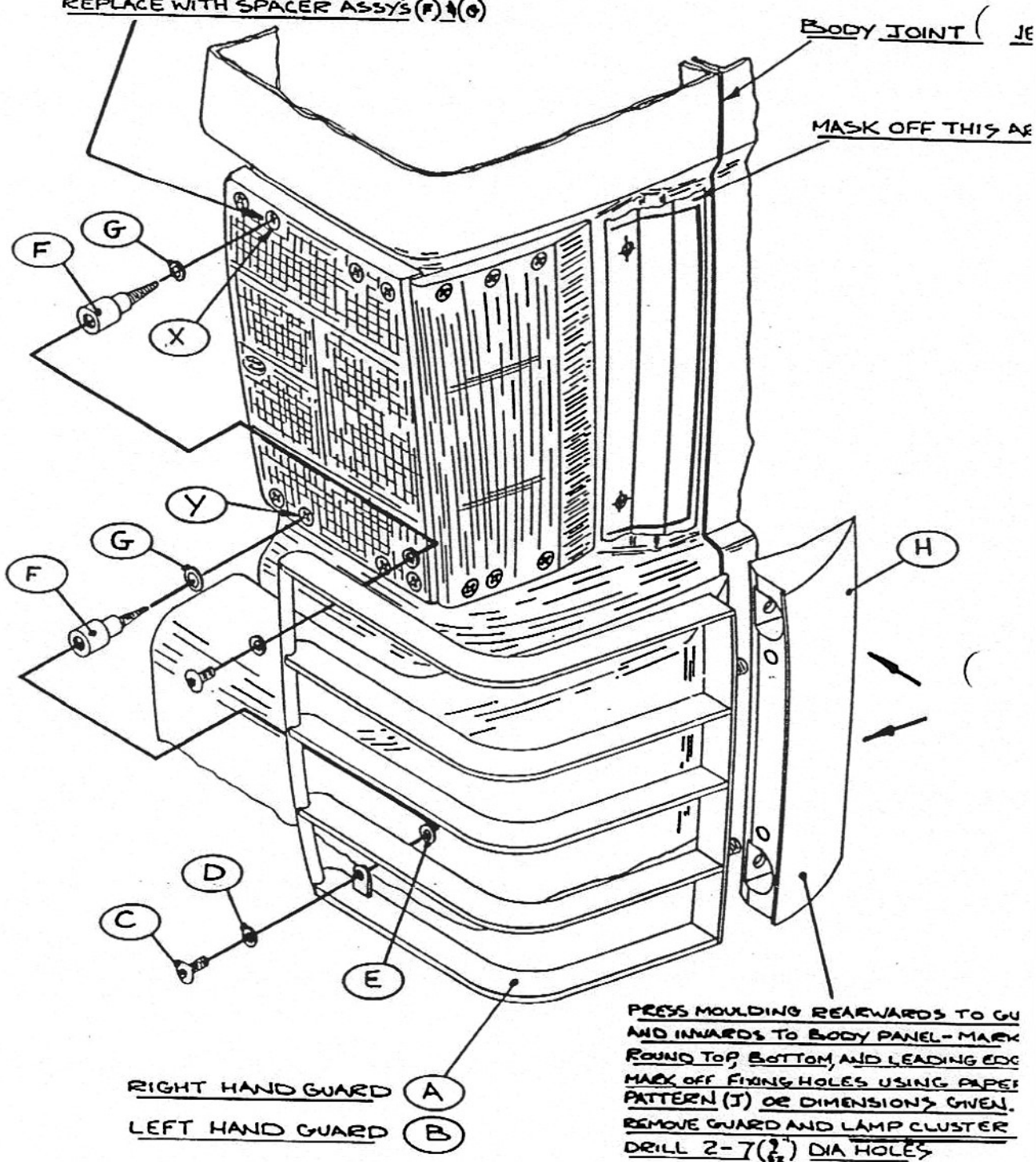
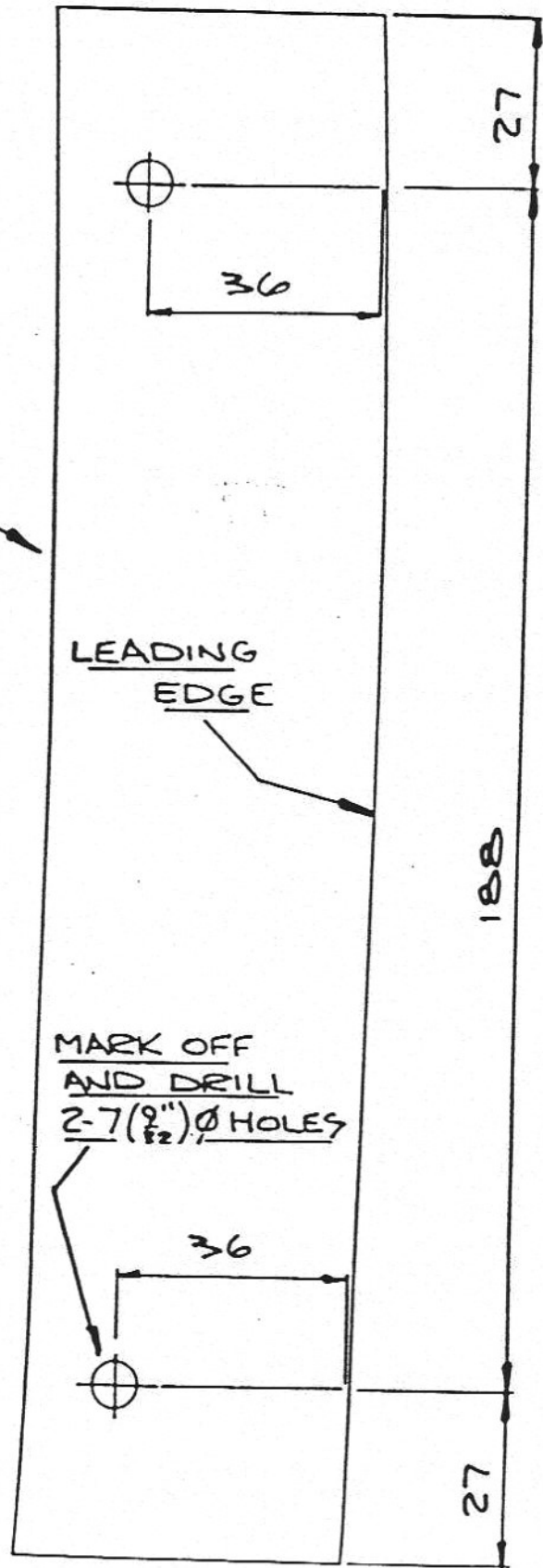


FIGURE-1

CUT OUT PAPER
PATTERN



LEADING
EDGE

MARK OFF
AND DRILL
2-7 (2'') Ø HOLES

27

36

188

27

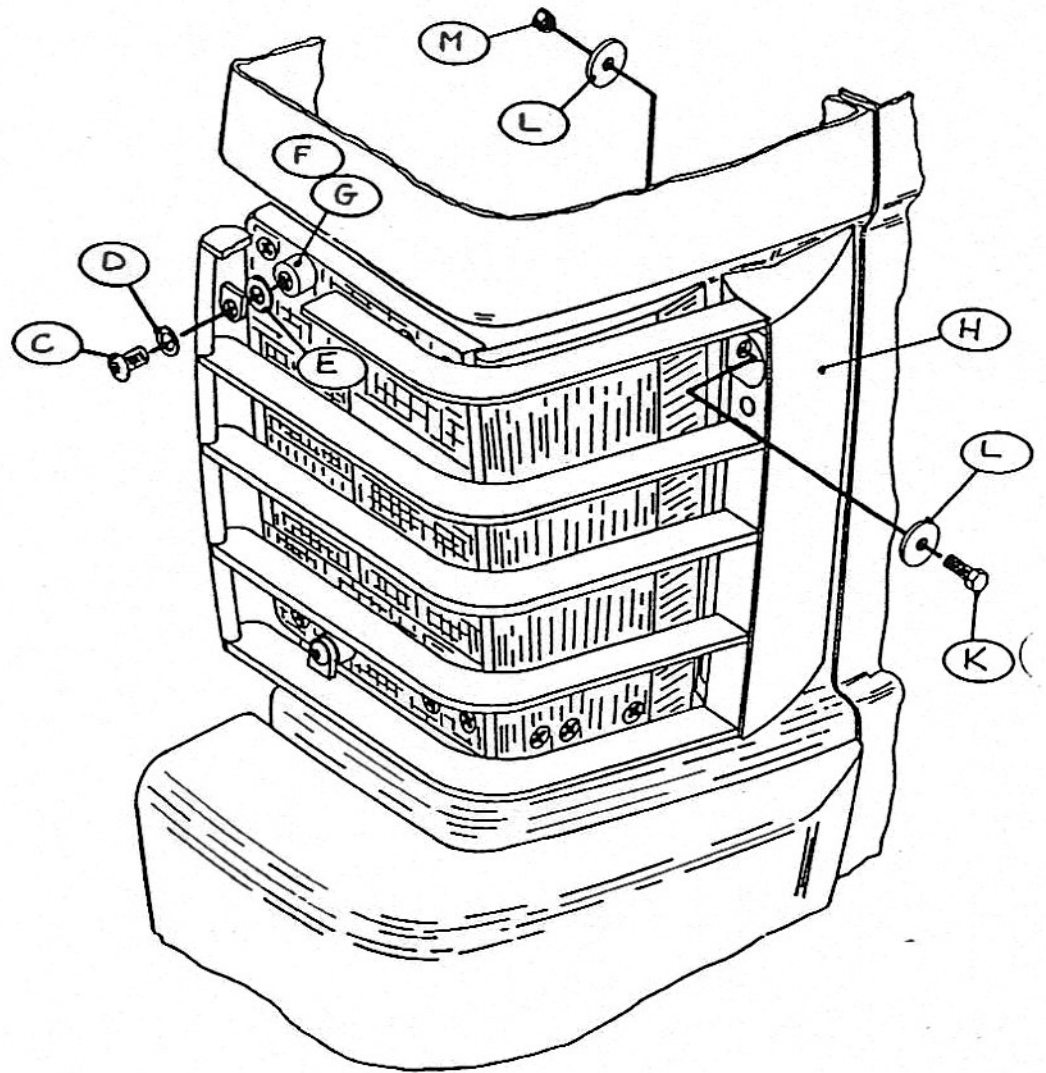


FIGURE-2



RANGE ROVER

PARTS BULLETIN

CIRCULATION	
Dealer Principal	X
General Manager	X
Service Manager	
Service Advisors	
Parts Manager	X
Mechanic	
Sales Manager	X

Bulletin No. **AC-016/91**

Section: **Accessories**

Sheet 1 of 1

Dated: **November 25, 1991**

MODEL:

**Range
Rover
USA**

Subject: **New Accessories and Accessory Holiday Pricing**

Attached is a list of new accessories with special launch pricing indicated. All these accessories are the latest offerings from Land Rover Parts and offer exciting and profitable opportunities for every dealer. In particular, we are now offering "Chrome-Look Accessories" consisting of a front polished stainless steel wrap-around brush bar, chrome bumpers, and polished stainless steel running boards. In addition, new to our range are front lampguards, along with newly restyled rear lampguards.

We are also offering for the first time a deluxe Land Rover tool kit. The nice thing about this kit is that it fastens in a unique bracket under the rear seat, so it is securely tucked away without taking up any interior space of the car.

All these new accessories are offered for the remainder of the year at special "Holiday Pricing." We are also offering special pricing on several of our regular accessories, including our famous GDE winch.

While we encourage you to order these accessories as soon as you can so that you can take a look at them, please be aware that some of the new accessories are in short supply at this time. However, the holiday pricing offered will remain good on all items ordered through the end of this year.

These new accessories, along with holiday savings, offer you the opportunity to contact some of your Range Rover customers and let them know about these exciting accessories in time for the Christmas season.

Attachment

NEW ACCESSORIES

Thru 12/31/91

P/N	Description	Current Pricing		Holiday Pricing	
		Dealer	Retail	Dealer	Retail
EXTERIOR BODY / TRIM / PROTECTION					
STC8080	LAND ROVER BRUSH BAR, POLISHED STAINLESS STEEL Wrap-Around, highly polished S.S. with removeable black finish lamp guards. Same style as RTC9582.	\$976.50	\$1,395.00	USA \$\$	USA \$\$
STC8087	LAND ROVER RUNNING BOARDS, POLISHED STAINLESS STEEL Same style as RTC9507M, but fully constructed of stainless steel with highly polished outer rails.	\$451.75	\$695.00	\$906.50	\$1,295.00
STC8065	LAND ROVER BUMPER KIT, CHROME, FRONT & REAR Contains Front & Rear Bumpers NTC7041 and NTC7042.	\$451.75	\$695.00	\$406.25	\$625.00
STC8026	LAND ROVER LAMP GUARDS, FRONT SET ** Two guards which fasten over each of the front headlamps.	\$682.50	\$1,050.00	\$617.50	\$950.00
STC8027	LAND ROVER LAMP GUARDS, REAR, NEW STYLE Newly designed set of guards with cleaner styling fitting closer to body, with trim flaring.	\$135.00	\$225.00	\$111.00	\$185.00
		\$126.00	\$210.00	\$111.00	\$185.00
			Note ***		
CONVENIENCE					
STC8243	LAND ROVER FOOT PUMP Land Rover brand foot pump, with dial gauge. In attractive display carton.	\$23.97	\$39.95	\$17.97	\$29.95
STC8244	LAND ROVER DELUXE TOOL KIT Unique bracket and mounting arrangement under right rear seat. Contents listing attached.	\$84.47	\$129.95	\$77.97	\$119.95
STC724	LAND ROVER TIRE GAUGE KIT Contains tire pressure gauge and tread depth gauge in pouch.	\$11.97	\$19.95	\$10.80	\$18.00
CURRENT ACCESSORY SPECIALS					
				Dealer	Retail
RTC8138GDE	RRNA GDE WINCH KIT Deluxe 8000 lb. winch kit fitted to front GDE style bumper/brush bar. Complete with winching accessory kit and video.	\$1,706.25	\$2,275.00	\$1,537.50	\$2,050.00
RTC9589	LAND ROVER SNOW CHAIN KIT One axle set of highest quality German made snow chains. Easy fit, come complete in plastic case containing all instructions.	\$399.95	\$499.95	\$350.00	\$450.00
RRNA0911	RRNA BLOCK HEATER Complete engine block heater kit.	\$59.97	\$99.95	\$53.97	\$89.95
RRNA0903	RRNA DRIVING/FOG LAMP COVER KIT - Wipac Pair of high quality, unbreakable plastic covers, in display package.	\$26.97	\$44.95	\$23.97	\$39.95
RRNA0909	RRNA DRIVING/FOG LAMP COVER KIT - Lucas Pair of high quality, unbreakable plastic covers, in display package.	\$26.86	\$44.95	\$23.97	\$39.95

** For Off-Road Use only. May not be legal for on-road use in some states.
Also, not available until mid-December.

*** Price scheduled to rise 1/1/92 to \$135/\$225.

Land Rover Parts

Tool Kit - List of Contents - STC8244

Land Rover Work Gloves

Roll of Insulation Tape

Screwdriver - Reversible: Blade and Pozi Drive
size 2

Screwdriver - Large with Cranked Flatblade

Feeler Gauge

4 x Spanners Combination: 10mm, 11mm, 12mm, 13mm

1 x Pliers 6.5" Combination

1 x Waterpump Pliers 10"

1 x Plug Socket 3/8" SD x 21mm

4 x Sockets 3/8" SD x 10mm, 11m, 12mm, 13mm

Extension 3" x 3/8" SD

Extension 6" x 3/8" SD

T Bar (Sliding) 3/8" SD x 8"



RANGE ROVER

PARTS BULLETIN

CIRCULATION	
Dealer Principal	
General Manager	
Service Manager	X
Service Advisors	
Parts Manager	X
Mechanic	X

Bulletin No. **EN-001/91**

Section: **Engine**

Sheet 1 of 1

Dated: **May 23, 1991**

MODEL:

**Range
Rover
USA and
Canada**

Subject: **Distributor Gear Assembly - ERC1353**

Please note that the distributor gear assembly, part number ERC1353, has not been drilled to accept the retaining pin which fixes the gear to the distributor shaft. Follow the instructions given below to drill the hole.



RANGE ROVER

PARTS BULLETIN

CIRCULATION	
Dealer Principal	
General Manager	
Service Manager	
Service Advisors	
Parts Manager	X
Mechanic	

Bulletin No. **AS-001/91**
Section: **Axles and Suspension**
Sheet 1 of 1
Dated: **February 11, 1991**

MODEL: Range Rover Hunter

Subject: **Goodyear Tires**

Please be advised that the new Hunter model is fitted with Goodyear Wrangler tires as standard equipment, and stocked at our warehouse as part number RTC7602GY.

Also, remember that the Goodyear Wrangler is a factory approved alternative for all other Range Rover models. Please review Parts Bulletin AS-003 (from 1987/1989 Bulletin Book) for more information.



RANGE ROVER

PARTS BULLETIN

CIRCULATION	
Dealer Principal	
General Manager	
Service Manager	X
Service Advisors	X
Parts Manager	X
Mechanic	X

Bulletin No. **EC-001/91**

Section: **Engine Controls**

Sheet **1** of **1**

Dated: **July 31, 1991**

MODEL:

**Range
Rover
USA and
Canada**

Subject: **Supersession of Brake Pedal Springs STC297 and NTC6949 to
STC709**

Please be advised that brake pedal springs, part numbers STC297 and NTC6949, are now superseded to part number STC709.

Old stock of part numbers STC297 and NTC6949 are to be scrapped and a PAF filed with this office.

Note: Please reference this Parts Bulletin when filing the PAF.



RANGE ROVER

PARTS BULLETIN

CIRCULATION	
Dealer Principal	
General Manager	
Service Manager	X
Service Advisors	X
Parts Manager	X
Mechanic	X

Bulletin No. **EC-001R/91**

Section: **Engine Controls**

Sheet **1** of **1**

Dated: **August 6, 1991**

MODEL:

**Range
Rover
USA and
Canada**

Subject: Supersession of Brake Pedal Spring NTC4563 to STC709. (This Parts Bulletin is to replace EC-001/91.)

Please be advised that brake pedal spring, part number NTC4563, is now superseded to part number STC709.

Old stock of part number NTC4563 is to be scrapped and a PAF filed with this office.

The above mentioned part number can be found on page 155 in the Parts Catalogue, and on Fiche 105.

Note: Please reference this Parts Bulletin when filing the PAF.



RANGE ROVER

PARTS BULLETIN

CIRCULATION	
Dealer Principal	
General Manager	
Service Manager	
Service Advisors	
Parts Manager	X
Mechanic	

Bulletin No. **ST-001/91**

Section: **Steering**

Sheet 1 of 1

Dated: **March 7, 1991**

MODEL:

**Range
Rover**

Subject: **New Steering Box**

Please be advised that 1991 Range Rovers beginning with VIN #MA603395 are being assembled with a new steering box (part number NTC8417). Part number NTC8417 must be used as a replacement for any vehicles since VIN #MA603395.

Also, note that this new steering box does not supersede the steering box used in earlier models.



RANGE ROVER

PARTS BULLETIN

CIRCULATION	
Dealer Principal	
General Manager	
Service Manager	
Service Advisors	
Parts Manager	X
Mechanic	

Bulletin No. **ST-002/91**

Section: **Steering**

Sheet **1** of **1**

Dated: **April 5, 1991**

MODEL:

**Range
Rover**

Subject: **Steering Box - NTC8417**

Please be advised that the new steering box part number NTC8417 supersedes the old steering box part number NTC1581.

The NTC8417 is completely interchangeable for all NAS applications.



RANGE ROVER

PARTS BULLETIN

CIRCULATION	
Dealer Principal	
General Manager	
Service Manager	X
Service Advisors	
Parts Manager	X
Mechanic	X

Bulletin No. **FA-001/91**
Fuel

Section: **and Air**

Sheet **1** of **1**

Dated: **May 1, 1991**

MODEL:

**Range
Rover
USA and
Canada**

Subject: **1991 Model Fuel Pump Replacement**

The fuel pump, part number PRC8499, used on all 1991 model Range Rovers (except GDE models) is not supplied with the compression nuts, part number NRC9770, and the olives, part number NRC9771. Please make certain two of each compression nut and olive is ordered for every fuel pump.

Usage of the original compression nuts and olives is not recommended.

Please note that the GDE Model was not available in Canada.



RANGE ROVER

PARTS BULLETIN

CIRCULATION	
Dealer Principal	
General Manager	
Service Manager	X
Service Advisors	X
Parts Manager	X
Mechanic	X

Bulletin No. **FA-002/91**
Fuel
 Section: **and Air**
 Sheet 1 of 1
 Dated: **October 17, 1991**

MODEL:
**Range
 Rover
 USA and
 Canada**

Subject: **Fuel Pump (PRC8499) Supersession to Fuel Pump (PRC9409)**

Effective immediately, discontinue use of fuel pump, part number PRC8499. This pump has been superseded with fuel pump part number PRC9409.

Return of PRC8499

All current stock of PRC8499 should be pulled off your shelves and a PAF entered on your computer for return.

Do not use the parts buyback reason code in the PAF entry. Instead, use reason code "DG", and claim for cost of UPS ground return freight to Memphis. Once you receive authorization to return, send back all PRC8499 to the PAF address specified.



RANGE ROVER

PARTS BULLETIN

CIRCULATION	
Dealer Principal	
General Manager	
Service Manager	X
Service Advisors	X
Parts Manager	X
Mechanic	X

Bulletin No. **GB-001/91**

Section: **Gearbox**

Sheet **1** of **1**

Dated: **November 18, 1991**

MODEL:

**Range
Rover
USA and
Canada**

Subject: **1992 Gearchange**

The attached two sheets need to be added to the Gearbox Section in your Parts Catalogue (Fiche 1G4 and Fiche 1G5.)

Please note that for the 1992 model Range Rover some parts, such as the gear lever, can only be obtained by purchasing the entire gearchange assembly.

Attachment



RANGE ROVER NAS

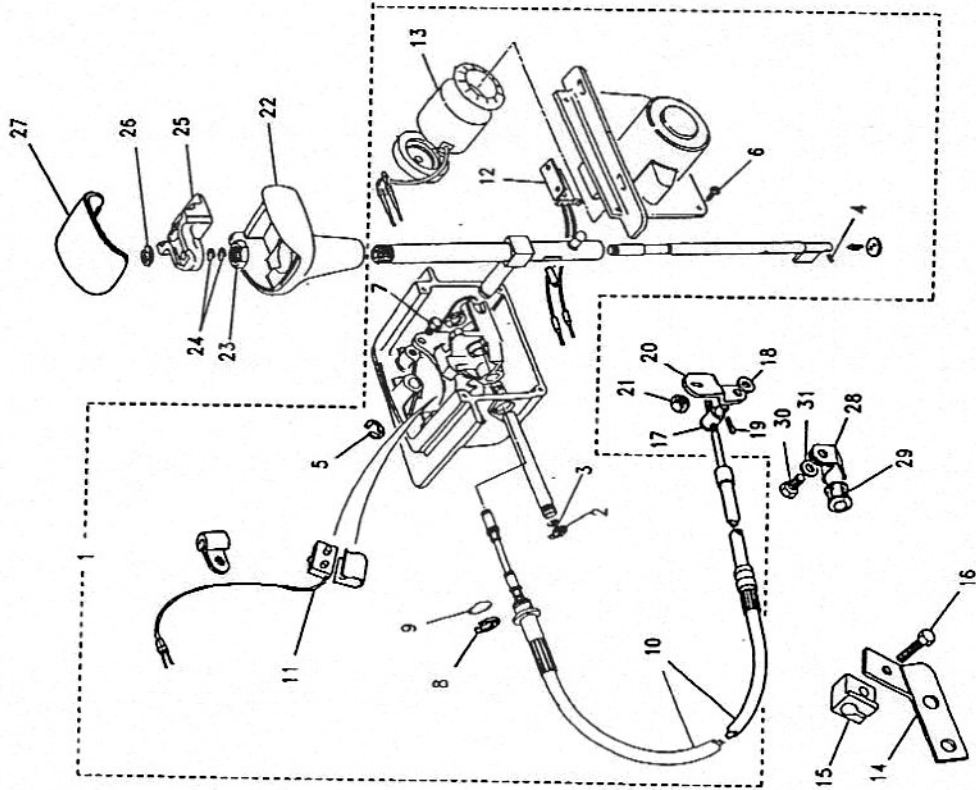
fiche1
G4

GEARBOX

Model RANGE ROVER NAS
Page BCCPKC2A

GEARBOX - SHIFT INTERLOCK 1992MY - ZF AUTOMATIC

Ill. Part No.	Description	Qty	Remarks
1	FTC2486	1	
2	FRC8707	2	Gearchange assembly
3	FRC8711	2	Clip'E'cross shaft
4	PA103061	1	O ring
5	FRC8707	1	Spring pin
6	AB606041L	1	Clip'E'gear lever
7	SH106101L	4	Screw side cover
8	FRC8709	1	Screw
9	FRC8712	1	Clip'E'
10	FTC566	1	O ring
11	PRC9677	1	Cable gear change
12	PRC9859	1	Microswitch N.C.
13	PRC8906	1	Microswitch N.O.
14	FRC8742	1	Solenoid-park
15	FRC8743	1	Bracket cable
16	SH108301L	1	Clamp cable
17	FRC7630	1	Screw cable clamp
18	WA108301L	1	Trunnion cable
19	PS104127L	1	Washer
20	FRC8744	1	Split pin
21	FRC6915	1	Lever-gearbox
22	FRC9357	1	Nut-lever Knob gear





RANGE ROVER NAS

fiche1

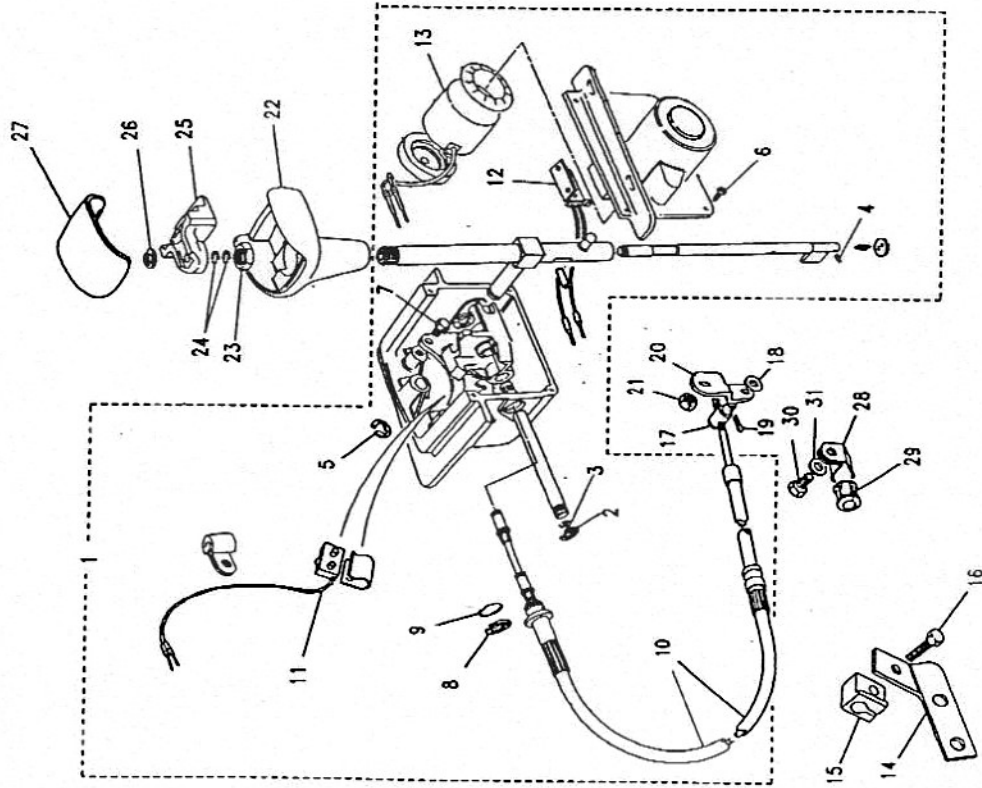
G5

GEARBOX

Model RANGE ROVER NAS
Page BCCPKC2A

GEARBOX - SHIFT INTERLOCK 1992MY - ZF AUTOMATIC

Ill. Part No.	Description	Qty	Remarks
23	FRC8468 Nut knob gear	1	
24	FRC9359 O ring	1	
25	FTC578 Button-knob gear	1	
26	FRC8708 Clip'E' knob gear	1	
27	FRC8698 Cap knob gear	1	
28	50641 Clip'P'	1	
29	589254 Grommet	1	
30	SH108161L Screw set	1	
31	WA108051L Washer	1	



LAND ROVER
PARTS LTD



RANGE ROVER

PARTS BULLETIN

CIRCULATION	
Dealer Principal	
General Manager	
Service Manager	X
Service Advisors	X
Parts Manager	X
Mechanic	X

Bulletin No. **CH-001/91**
Cooling and Heating
 Section:
 Sheet 1 of 2
 Dated: **January 8, 1991**

MODEL:
Range Rover All

Subject: **Damper Weight WF001**

RRNA/LRCnd has introduced an A/C hose damper weight as a fix for the A/C compressor noise complaint.

The part number for this weight is WF001. It is stocked in Memphis, and can be ordered by normal methods.

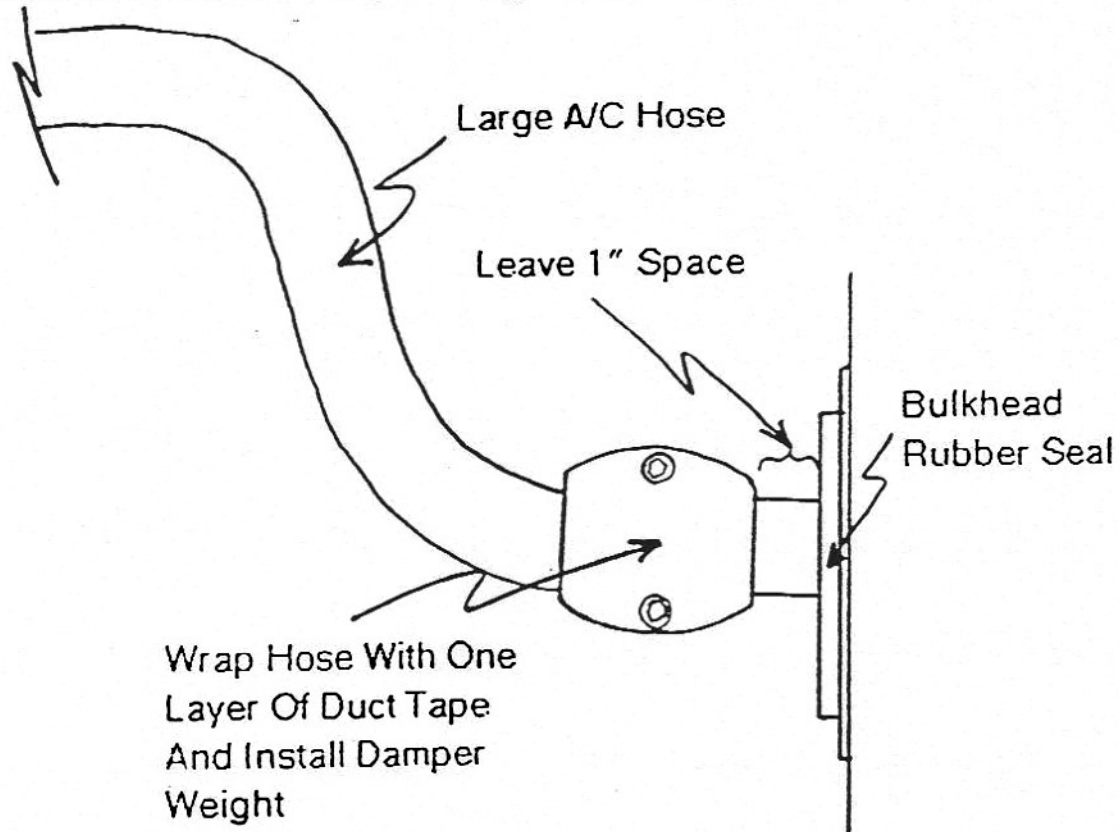
Please **DO NOT** overstock this part. Adequate stock is on hand at Memphis for anticipated need.

<u>Part Number</u>	<u>Dealer Net</u>
WF001	\$ 5.38 (USA) \$ 8.50 (CAN)

1991 RANGE ROVER
A/C Compressor Noise Service-Fix

Problem: "Howling A/C Compressor"

Solution: Install Damper Weight on A/C Hose



Note: Check for good clearance between weight and brake line/fuel lines. Adjust as needed.

Warranty Claim Instructions:

Service Type: WW

Repair Code: 8Q4W

Labor Operation: 822500 = .25 Hr.

Part: WF001



RANGE ROVER

PARTS BULLETIN

CIRCULATION	
Dealer Principal	
General Manager	
Service Manager	X
Service Advisors	X
Parts Manager	X
Mechanic	

Bulletin No. **CH-002/91**
Cooling and Heating

Section:

Sheet 1 of 1

Dated: **November 19, 1991**

MODEL:

**Range
Rover
USA and
Canada**

Subject: 1992 Part Number Additions to Heater Section

Please replace Fiche 2G13 and Fiche 2G14 with the attached sheets which now include 1992 part numbers for the heater section.

Attachment



RANGE ROVER NAS

fiche 2
G13

COOLING/HEATING

Model RANGE ROVER NAS
Page BCLXGA2A

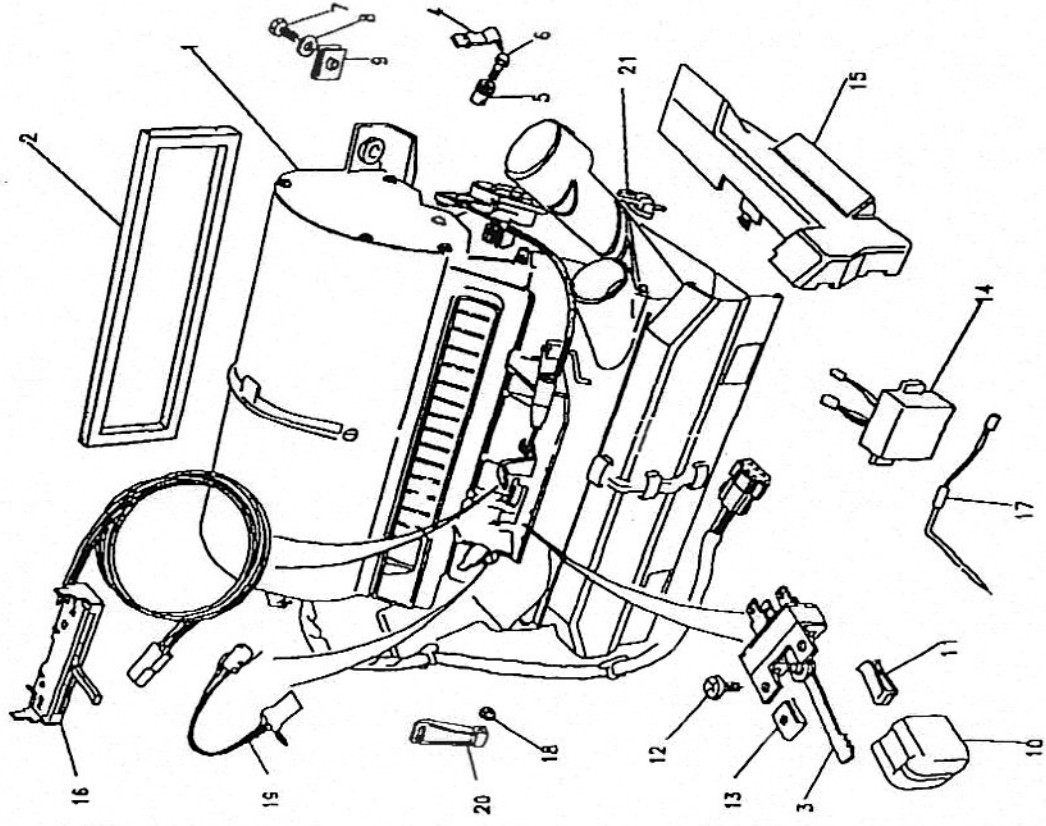
HEATING SYSTEM - HEATER.

Ill. Part No. Description

FROM VIN LA399973.

Qty	Part No.	Description	Remarks
1	MXC1760	Heater assembly	Note(1)
1	BTR410	Heater assembly	Note(2)
1	BTR857	Heater assembly	Note(3)
1	BTR3428	Heater assembly	Note(6)
2	MXC6889	Seal	
1	RTC6693	Motor & rotor	
1	RTC6696	Actuator	
1	RTC6697	Solenoid	
1	RTC6593	Matrix	
1	RTC6694	Lever assembly	
1	RTC6695	Cable assembly	
2	PRC5436	Switch heater	
2	13H7343L	Clip Cable	
2	37H1856L	Trunnion	
2	257307	Screw	
4	AM605088	Screw	Note(4)
4	MXC6676	Screw	Note(5)
4	WC108051L	Washer plain	
4	AK616011	Nut spring	
5	MUC6347	Knob	

Note(1)
Up to Vin LA428859.
Note(2)
From Vin LA428860 up to Vin LA449696.
Note(3)
From Vin LA449697 up to Vin NA613309.
Note(4)
Up to Vin KA399972.
Note(5)
From Vin LA399973.
Note(6)
From Vin NA613310.



LAND ROVER
PARTS LTD



RANGE ROVER NAS

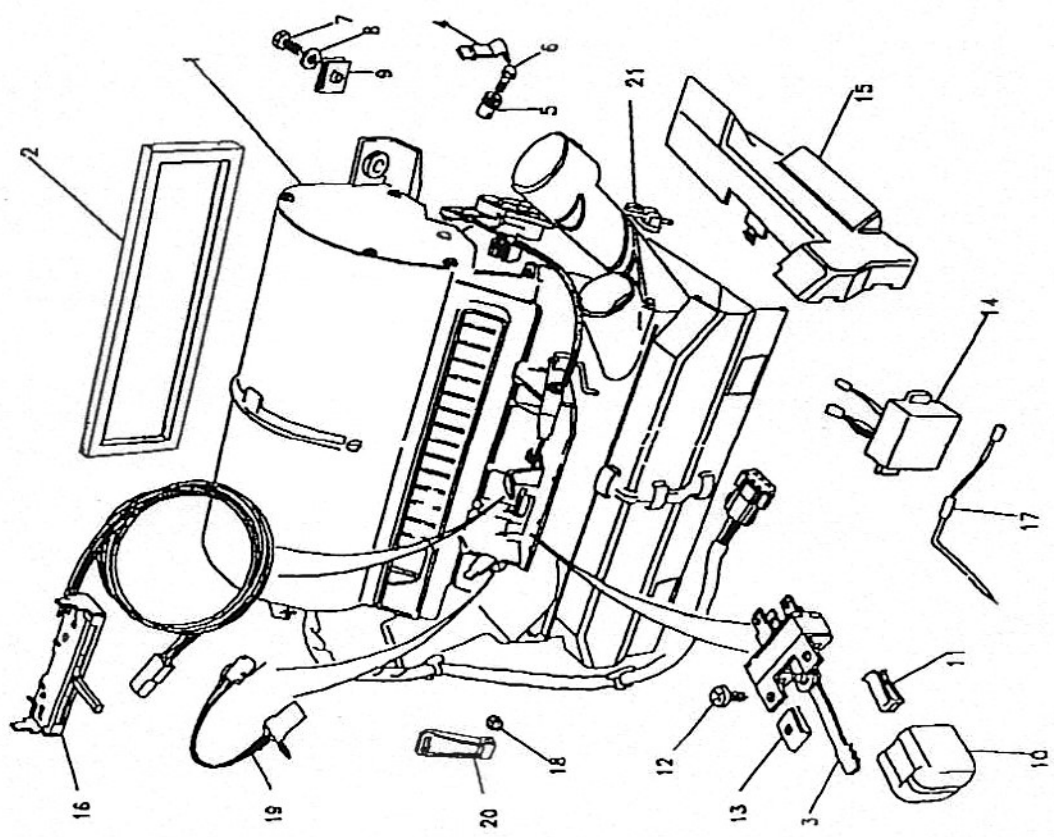
fiche 2
G14

COOLING/HEATING

Model RANGE ROVER NAS
Page BCLXGA2A

HEATING SYSTEM - HEATER.

Ill. Part No.	Description	Qty	Remarks
FROM VIN LA399973.			
11	MXC3270	5	Clip
12	AB606031L	6	Screw
13	79039	6	Nut
14	MXC5706	1	Thermostat
15	MXC5554	1	Deflector RH
	MXC5555	1	Deflector LH
	BTR458	1	Deflector RH
	BTR457	1	Deflector LH
16	MXC5705	1	Potentiometer
17	MXC5707	1	Probe thermistor
18	MXC7656	1	Fixing
19	PRC8155	1	Switch blower
20	MXC5683	1	Link thermostat
21	STC490	1	Clip linkage



Note(1) Up to Vin LA464271.
Note(2) From Vin LA464272.



LAND ROVER
PARTS LTD



RANGE ROVER

PARTS BULLETIN

CIRCULATION	
Dealer Principal	
General Manager	
Service Manager	X
Service Advisors	X
Parts Manager	X
Mechanic	X

Bulletin No. **EL-001/91**

Section: **Electrical**

Sheet 1 of 1

Dated: **February 22, 1991**

MODEL:

**Range
Rover**

Subject: **1990/1991 ECU's**

In order to update your parts stock of 1990/1991 EFI ECU's to current factory specification, please do the following:

ECU's Requiring Upgrading

Part Number

Identification

PRC7081
PRC8747

In addition to the original plastic part number label, these ECU's MAY have a paper label with tune numbers R2161 or R2306 indicated.

ECU's Requiring No Action

Part Number

Identification

PRC7081
PRC8747

Plastic OEM label plus paper label with tune number 2419 indicated.

PRC9060

Plastic label only - "PRC9060"

Please ship any ECU's requiring upgrading to:

Lucas Industries
4 William Demarest Place
Waldwick, NJ 07463
Attn: P. Moore

IMPORTANT: Please attach a warranty tag to each unit with the comment: ECU Upgrade - Stock Unit

Lucas will rework your ECU's to the latest specification and return via 2nd day air.



RANGE ROVER

PARTS BULLETIN

CIRCULATION	
Dealer Principal	
General Manager	
Service Manager	X
Service Advisors	X
Parts Manager	X
Mechanic	X

Bulletin No. **EL-002/91**

Section: **Electrical**

Sheet 1 of 1

Dated: **October 17, 1991**

MODEL:

**Range
Rover
NAS and
Canada**

Subject: **Brake Switch (PRC7870)**

Brake switch PRC7870 has superseded to part number PRC9915. Please make a note of this when ordering this switch.

Scrapping of PRC7870

Existing stock of part number PRC7870 with a date code stamped on the side of the switch before 19 1 (see note below) should be scrapped, and a PAF registered with RRNA.

NOTE: The first part of the date code (19) denotes the week of manufacture, and the second part (1) is the year. So if your switch has a code of 18 1, it was manufactured on the 18th week of 1991, and it should be scrapped.



RANGE ROVER

PARTS BULLETIN

CIRCULATION	
Dealer Principal	
General Manager	
Service Manager	X
Service Advisors	X
Parts Manager	X
Mechanic	X

Bulletin No. **EL-003/91**

Section: **Electrical**

Sheet **1** of **1**

Dated: **November 13, 1991**

MODEL:

**Range
Rover
USA and
Canada**

Subject: **Seat Switch (PRC8095 and PRC8096)**

Both LH (PRC8095) and RH (PRC8096) seat switches will now include a diaphragm (BTR3061) in every box. The diaphragm protects the switch from ingress of fluids or dirt particles, and should be installed on every switch without exception.



RANGE ROVER

PARTS BULLETIN

CIRCULATION	
Dealer Principal	
General Manager	
Service Manager	
Service Advisors	
Parts Manager	X
Mechanic	

Bulletin No. **CB-001/91**
 Section: **Chassis and Body**
 Sheet 1 of 1
 Dated: **February 22, 1991**

MODEL:

Range Rover
USA and Canada

Subject: **Front Fender Isolation Washers - MXC8304**

These washers have been used in production for some time to isolate the upper edge of the front fenders where they bolt to the steel angle brace.

They reduce corrosion in this area by preventing physical contact between the aluminum fender and the steel brace.

We recommend fitting these washers between the fender top flange and angle brace before the five attachment bolts are installed whenever a fender is removed for repair or replacement.



PARTS BULLETIN

CIRCULATION	
Dealer Principal	
General Manager	
Service Manager	X
Service Advisors	X
Parts Manager	X
Mechanic	X

Bulletin No. **CB-002/91**
Chassis and

Section: **Body**

Sheet **1** of **1**

Dated: **February 26, 1991**

MODEL:

**Range
Rover**

Subject: **Range Rover Replacement Windshields**

It has been reported that aftermarket Range Rover windshields are now available in some areas.

THESE WINDSHIELDS ARE NOT APPROVED BY RANGE ROVER.

In some cases these windshields have been found to be dimensionally incorrect, and are too small for the vehicle windshield opening. This condition can cause the glass to become detached from its mounting rubber, especially at highway speeds, and is potentially dangerous.

In addition, the use of these windshields may cause water leaks from around the aperture sealing area.

We continue to recommend the installation of **ONLY** Range Rover approved parts and accessories purchased through RRNA/LRCnd and its authorized dealers.



RANGE ROVER

PARTS BULLETIN

CIRCULATION	
Dealer Principal	
General Manager	
Service Manager	
Service Advisors	
Parts Manager	X
Mechanic	

Bulletin No. **CB-003/91**
Chassis

Section: **and Body**

Sheet **1** of **1**

Dated: **May 22, 1991**

MODEL:

**Range
Rover
USA and
Canada**

Subject: **Side Locks, Upper Tailgate, From VIN KA351033
(Microfiche/Parts Catalog RTC9933FP)**

The side locks listed in the microfilm frame 3H13 and the Parts Catalog on page 382 are not identified correctly. The left-hand side lock is part number MXC8421. The right-hand side lock is part number MXC8420.



RANGE ROVER

PARTS BULLETIN

CIRCULATION	
Dealer Principal	
General Manager	
Service Manager	
Service Advisors	
Parts Manager	X
Mechanic	

Bulletin No. **CB-004/91**
Section: **Chassis
and Body**
Sheet 1 of 1
Dated: **November 6, 1991**

MODEL:
**Range
Rover
USA and
Canada**

Subject: Microfiche Error Part Numbers MUC1218 and MUC1219 (Lift Channels)

Part numbers MUC1218 and MUC1219 on Fiche 3F14 have incorrect descriptions. MUC1218 should read "Lift Channel RH" and MUC1219 should read "Lift Channel LH."

Please make a note of these changes in your parts catalogue.



RANGE ROVER

PARTS BULLETIN

CIRCULATION	
Dealer Principal	
General Manager	
Service Manager	X
Service Advisors	X
Parts Manager	X
Mechanic	

Bulletin No. **CB-005/91**
Chassis

Section: **and Body**

Sheet **1** of **1**

Dated: **November 18, 1991**

MODEL:

**Range
Rover
USA and
Canada**

Subject: **Headlamp Washer Tee - DCP6656**

Please add part number DCP6656, Headlamp Washer Tee, to Fiche 2L17 in your Parts Catalogue directly under item number 12.

This washer tee is used on 1992 model year Range Rovers.



RANGE ROVER

PARTS BULLETIN

CIRCULATION	
Dealer Principal	
General Manager	
Service Manager	
Service Advisors	
Parts Manager	X
Mechanic	

Bulletin No. **IT-001/91**

Section: **Interior Trim**

Sheet **1** of **1**

Dated: **August 19, 1991**

MODEL:

**Range
Rover**

Subject: **Retaining Clip for Door Wood Capping (Part Number RTC6798)**

This is a reminder that the clips used for retaining front and rear door wood cappings are available separately under part number RTC6798.

The above mentioned item can be found on pages 426 and 431 in the Parts Catalogue, and on Fiche 3L2 and 3L7.



RANGE ROVER

PARTS BULLETIN

CIRCULATION	
Dealer Principal	
General Manager	
Service Manager	X
Service Advisors	
Parts Manager	X
Mechanic	

Bulletin No. **SE-001/91**

Section: **Seats**

Sheet **1** of **1**

Dated: **August 8, 1991**

MODEL:

**Range
Rover
NAS**

Subject: **Addition of Hunter Seats to the Parts Catalogue**

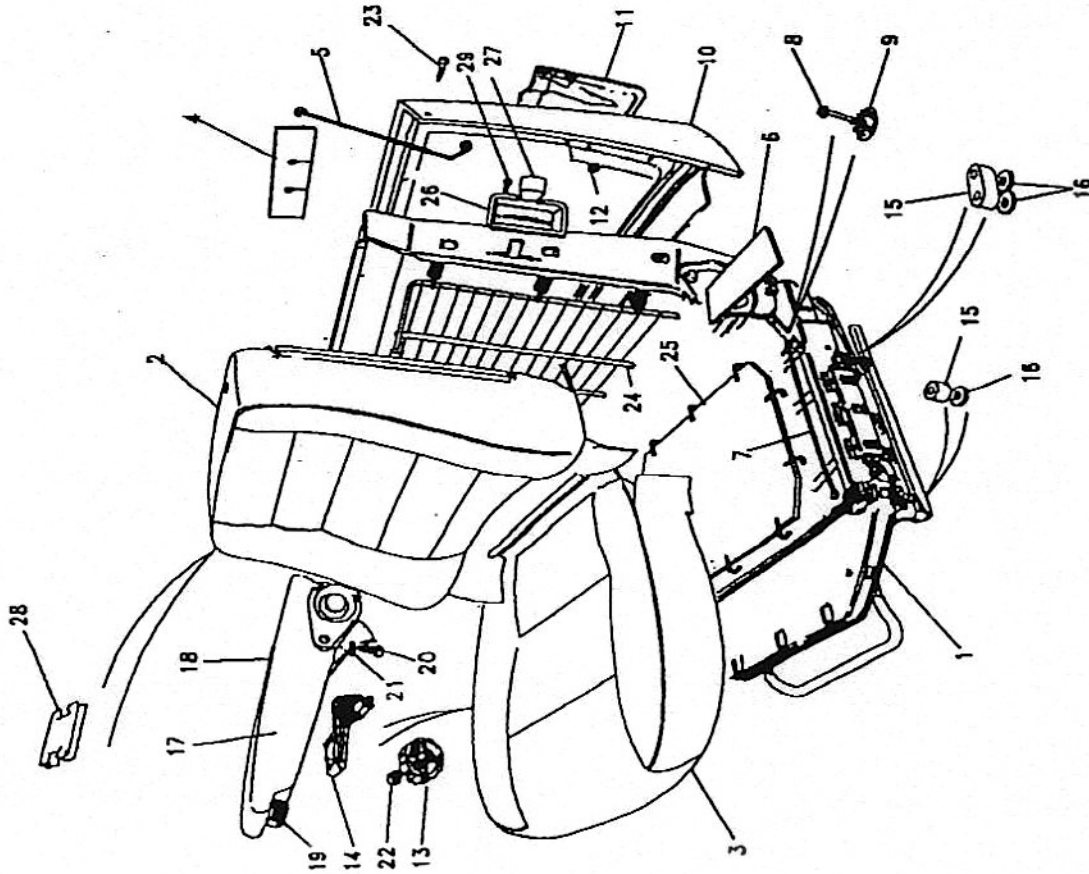
Please add the two attached sheets to the Seat section of your Range Rover Parts Catalogue.

Model RANGE ROVER NAS
Page BCRXE3A

SEATS - FRONT SEATS - 1991 HUNTER ONLY.

Ill. Part No.	Description	Qty	Remarks
1	MXC5981AUE Seat assembly front RH	1	
1	MXC5982AUE Seat assembly front LH	1	
1	MXC5801RUN Seat frame LH	1	
1	MXC5802RUN Seat frame RH	1	
2	MXC4797AUE Cover squab	2	
3	MXC4787AUE Cover cushion	2	
4	MUC1561 Plate retention squab	2	
5	MUC1525 Wire retention squab	4	
6	BTR344 Plate retention cushion	2	
7	MWC5259 Wire retention cushion	4	
8	AFU4056 Clip	4	
9	BRC5803 Washer	4	
10	MWC8592AUE Seatback panel	2	
11	MWC8652AUE Pocket seatback	2	
12	AN104041L Push on fix	12	
13	MWC2955RUN Handwheel recline	2	
14	STC219 Lever height adjuster RH	1	
	STC220 Lever height adjuster LH	1	

Note(1) COLOUR CODE. SUA - Sorrell brown LUL - Winchester grey.



Model RANGE ROVER NAS
Page BCRXEA3A

SEATS - FRONT SEATS - 1991 HUNTER ONLY.

Ill. Part No.	Description	Qty	Remarks
15	MWC1388 Spacer	4	Front
16	MWC1389 Spacer	4	Rear
17	MWC4804 Washer	12	
17	RTC6507 Armrest assembly LH	1	
18	RTC6506 Armrest assembly RH	1	
18	RTC6523 Cover armrest LH	1	
19	RTC6522 Cover armrest RH	1	
19	MUC1121SUA Knob	2	
20	SH605061L Screw	4	
21	WM600051L Washer spring	4	
22	NY110041L Nut	2	
23	DA606061L Screw	4	
24	MTC9943 Diaphragm	1	Squab
25	MTC9931 Diaphragm	1	Cushion
26	MWC9619SUA Escutcheon	1	
27	MWC9618SUA Knob	1	
28	MXC2940 Clip spring	1	
29	MTC9428 Screw	2	A/R

Note(1) COLOUR CODE. SUA - Sorrell brown LUL - Winchester grey.

